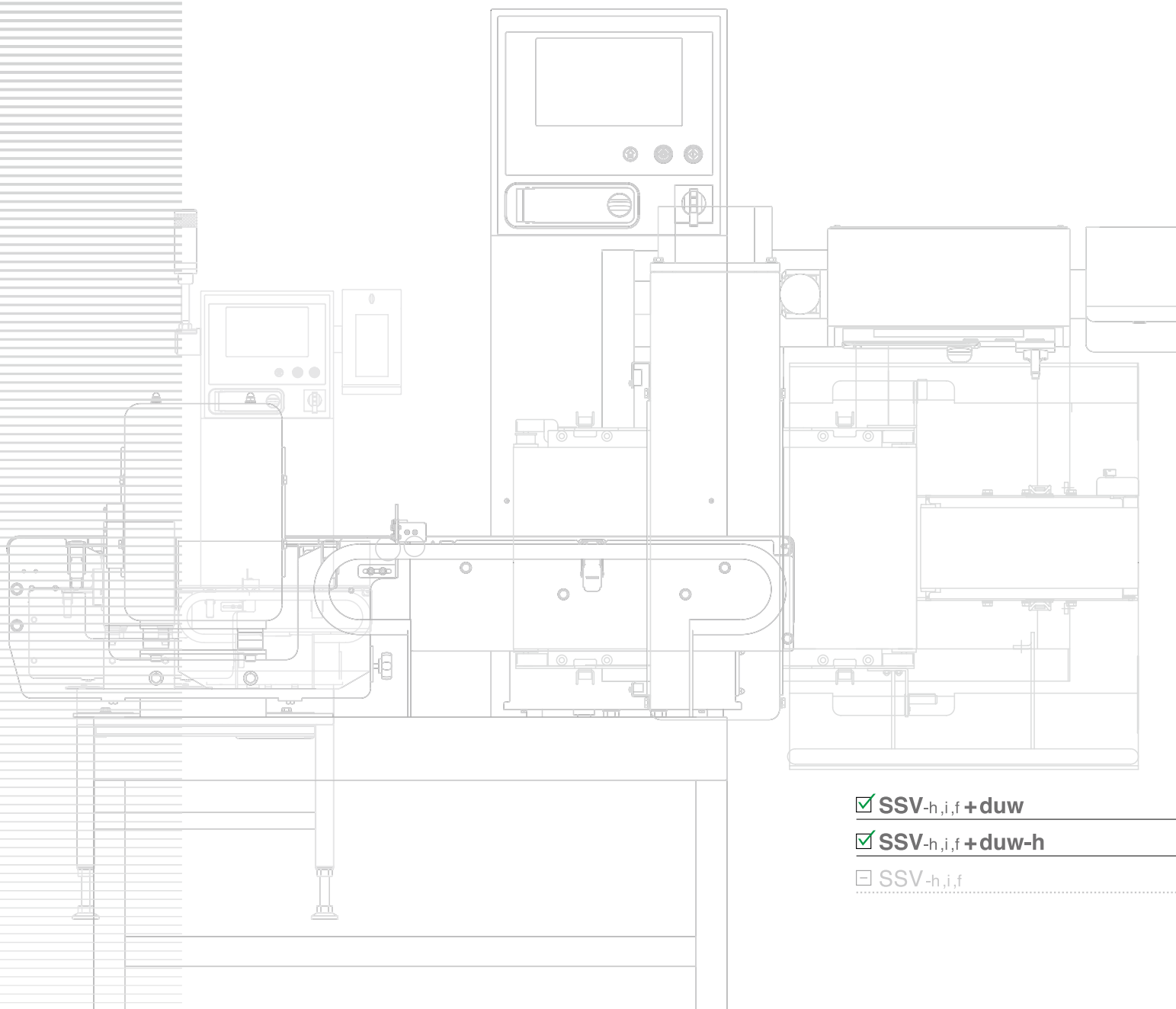


SSV series

# Combination Checkweigher and Metal Detector



SSV-h,i,f+duw

SSV-h,i,f+duw-h

SSV-h,i,f

SSV series

# Combination Checkweigher and Metal Detector



## Line up

### High Accuracy

#### Combination SSV-h Series and Metal Detector

Equipped with a high speed/high accuracy force balance load cell. Meets stringent accuracy and reliability standards in industrial and pharmaceutical products.

Control panel exterior	<input checked="" type="checkbox"/> Stainless steel	<input checked="" type="checkbox"/> Painted
Conveyor	<input type="checkbox"/> Waterproof	<input checked="" type="checkbox"/> Non waterproof
Balance	<input checked="" type="checkbox"/> Force balance	<input type="checkbox"/> Strain gauge
Frame	<input checked="" type="checkbox"/> Stainless steel	<input checked="" type="checkbox"/> Painted
Metal Detector Selectin	<input checked="" type="checkbox"/> duw	<input checked="" type="checkbox"/> duw-h

### Waterproof

#### Combination SSV-i Series and Metal Detector

Features waterproof and dustproof cabinet and components. Its hygienic design is perfect for unpackaged and fresh foods which require stringent sanitary control.

Control panel exterior	<input checked="" type="checkbox"/> Stainless steel	<input type="checkbox"/> Painted
Conveyor	<input checked="" type="checkbox"/> Waterproof	<input type="checkbox"/> Non waterproof
Balance	<input checked="" type="checkbox"/> Force balance	<input checked="" type="checkbox"/> Strain gauge
Frame	<input checked="" type="checkbox"/> Stainless steel	<input type="checkbox"/> Painted
Metal Detector Selectin	<input checked="" type="checkbox"/> duw	<input checked="" type="checkbox"/> duw-h

### Versatile

#### Combination SSV-f Series and Metal Detector

Equipped with a highly versatile strain gauge load cell. Well suited for a variety of applications including heavy products.

Control panel exterior	<input checked="" type="checkbox"/> Stainless steel	<input checked="" type="checkbox"/> Painted
Conveyor	<input type="checkbox"/> Waterproof	<input checked="" type="checkbox"/> Non waterproof
Balance	<input type="checkbox"/> Force balance	<input checked="" type="checkbox"/> Strain gauge
Frame	<input checked="" type="checkbox"/> Stainless steel	<input checked="" type="checkbox"/> Painted
Metal Detector Selectin	<input checked="" type="checkbox"/> duw	<input checked="" type="checkbox"/> duw-h

## Metal Detector Selection

### High Sensitivity

**duw-h**

Enhancements to the standard duw include improved signal processing and head design for optimal sensitivity and system stability.

### Standard

**duw**

Simultaneous dual frequency metal detection — optimized for both Stainless Steel and Ferrous Metals at the same time.

# Model Selection List

• [ ] are optional.

• The accuracy and speed vary according to the products to be weighed and the rejector.

△ : A letter indicating the exterior type.

□ : A number indicating the metal detection unit type.

Page	Series	Item Model	Weighing range (g)	Maximum accuracy (3σ) (g)	Maximum speed (products/min)	Belt speed (m/min)	Product size		Metal Detector								
							Width (mm)	Length (mm)	duw series				duw-h series				
									3D	4D	5D	6D	2E	3E	4E	5E	
4	High Accuracy SSV-h series	KWS6003B△□□	0.4 to 100	±0.01	310	15 to 92	20 to 100	58 to 230	√		√	√	√	√	√		
5		KWS6005B△□□	0.4 to 100	±0.01	310	15 to 92	20 to 160	58 to 230	√		√	√	√	√	√		
6		KWS6006B△□□	0.4 to 100	±0.01	320	15 to 120	20 to 160	58 to 320	√		√	√	√	√	√		
7		KWS6203B△□□	1.2 to 600	±0.015	400	15 to 120	20 to 100	58 to 230	√		√	√	√	√	√		
8		KWS6205B△□□	1.2 to 600	±0.015	400	15 to 120	20 to 160	58 to 230	√		√	√	√	√	√		
9		KWS6206B△□□	1.2 to 600	±0.015	320	15 to 120	20 to 160	58 to 320	√		√	√	√	√	√		
10		KWS6411B△□□	6 to 3000	±0.1	400	15 to 120	20 to 250	65 to 230	√		√	√	√	√		√	
11		KWS6412B△□□	6 to 3000	±0.1	320	15 to 120	20 to 250	65 to 320	√		√	√	√	√		√	
12		KWS6414B△□□	6 to 3000	±0.1	220	15 to 120	20 to 250	65 to 450	√		√	√	√	√		√	
13		KWS6416B△□□	6 to 3000	±0.1	210	15 to 91	20 to 350	65 to 350		√	√	√	√		√	√	
14		KWS6417B△□□	6 to 3000	±0.1	170	15 to 91	20 to 350	65 to 450		√	√	√	√		√	√	
15		Waterproof SSV-i series	KWS6265BW□□	6 to 600	±0.1	280	9 to 82	20 to 160	68 to 200	√		√	√	√	√	√	
16			KWS6366BW□□	12 to 1200	±0.1	220	9 to 82	20 to 230	68 to 320	√		√	√	√	√		√
17			KWS6472BW□□	30 to 3000 [30 to 1200]	±0.1	160 [220]	7 to 60 [9 to 82]	20 to 230	76 to 320	√		√	√	√	√		√
18	KWS5265BW□□		6 to 600	±0.2	280	9 to 82	20 to 160	68 to 200	√		√	√	√	√	√		
19	KWS5366BW□□		12 to 1200	±0.2	220	9 to 82	20 to 230	68 to 320	√		√	√	√	√		√	
20	KWS5472BW□□		30 to 3000 [30 to 1200]	±0.5	160 [220]	7 to 60 [9 to 82]	20 to 230	76 to 320	√		√	√	√	√		√	
21	KWS5476BW□□		30 to 3000 [30 to 1200]	±0.5	120 [155]	7 to 65 [9 to 83]	20 to 350	76 to 450		√	√	√	√		√	√	
22	KWS5577BW□□		60 to 6000	±1.5	70	5 to 38	20 to 350	76 to 450		√	√	√	√		√	√	
23	Versatile SSV-f series	KWS5203B△□□	6 to 600	±0.2	350	15 to 103	20 to 100	58 to 230	√		√	√	√	√	√		
24		KWS5205B△□□	6 to 600	±0.2	350	15 to 103	20 to 160	58 to 230	√		√	√	√	√	√		
25		KWS5206B△□□	6 to 600	±0.2	320	15 to 120	20 to 160	58 to 310	√		√	√	√	√	√		
26		KWS5411B△□□	12 to 3000	±0.2	320	15 to 94	20 to 250	65 to 230	√		√	√	√	√		√	
27		KWS5412B△□□	12 to 3000	±0.2	320	15 to 120	20 to 250	65 to 310	√		√	√	√	√		√	
28		KWS5414B△□□	12 to 3000	±0.2	220	15 to 120	20 to 250	65 to 450	√		√	√	√	√		√	
29		KWS5416B△□□	12 to 3000	±0.5	210	15 to 91	20 to 350	65 to 350		√	√	√	√		√	√	
30		KWS5417B△□□	12 to 3000	±0.5	170	15 to 91	20 to 350	65 to 450		√	√	√	√		√	√	
31		KWS5522B△□□	60 to 6000	±1.5	130	5 to 56	20 to 350	79 to 350		√	√	√	√		√	√	
32		KWS5524B△□□	60 to 6000	±1.5	110	5 to 60	20 to 350	79 to 450		√	√	√	√		√	√	

SSV-h series

SSV-i series

SSV-f series

# High Accuracy

SSV-h series and duw/duw-h Metal Detector **SSV-h** **duw** **duw-h**

## KWS6003 type

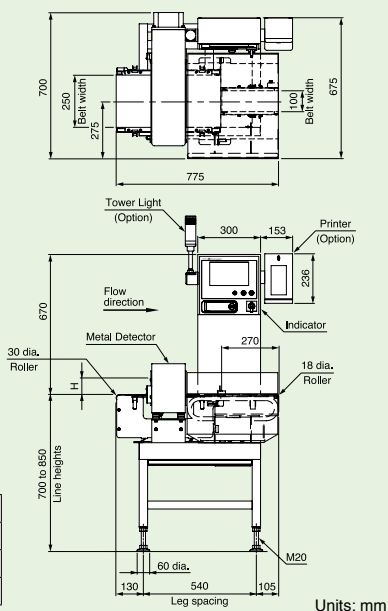
Weighing range : **0.4 to 100 g**

Maximum accuracy (3 $\sigma$ ) : **± 0.01 g**

Maximum speed : **310** products/min

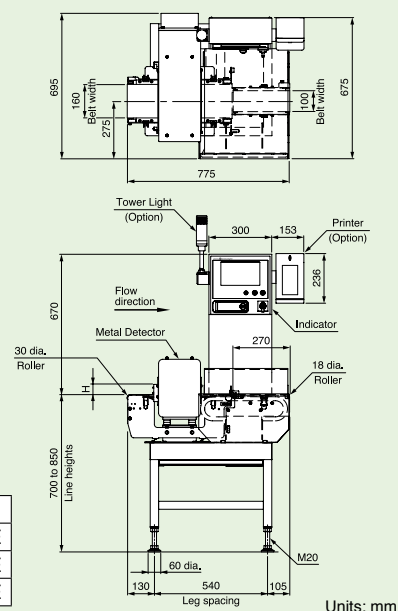
### External Dimensions (with duw series)

KWS6003BF□D  
KWS6003BP□D



### External Dimensions (with duw-h series)

KWS6003BF□E  
KWS6003BP□E



### Specifications

Model	KWS6003BF3D / KWS6003BF5D / KWS6003BF6D KWS6003BP3D / KWS6003BP5D / KWS6003BP6D	KWS6003BF2E / KWS6003BF3E / KWS6003BF4E KWS6003BP2E / KWS6003BP3E / KWS6003BP4E
Weighing range	0.4 to 100 g	
Scale interval	0.001 g	
Maximum speed <sup>1</sup>	310 products/min	
Maximum accuracy (3 $\sigma$ ) <sup>1</sup>	±0.01 g	
Display	8.5-inch color TFT LCD	
Operation method	Touch panel (Start, Stop, and Home are direct push buttons)	
Indication range	100.45 g	
Preset memory	Maximum 200	
Classification	2 or 3	
Product size <sup>2</sup>	Width W	20 to 100 mm
	Length L	58 to 230 mm
	Height H	<b>3D:</b> 5 to 80 mm <b>5D:</b> 5 to 120 mm <b>6D:</b> 5 to 180 mm <b>2E:</b> 5 to 50 mm <b>3E:</b> 5 to 80 mm <b>4E:</b> 5 to 100 mm
Belt speed	15 to 92 m/min	
Power requirements	100 to 120 Vac +10% -15% or 200 to 240 Vac +10% -15%, single phase, 50/60 Hz, 200 VA, rush current 30 A (typ.) (20 ms or less)	
Mass	<b>3D:</b> 98 kg <b>5D:</b> 100 kg <b>6D:</b> 101 kg <b>2E:</b> 108 kg <b>3E:</b> 108 kg <b>4E:</b> 109 kg	
Environmental conditions	0° to 40°C (variation not to exceed 5°C/h to maintain accuracy), relative humidity 30% to 85%, non-condensing	
Protection class	IP30 compliance	
Exterior	F type: painted, P type: stainless steel (SUS304) (excluding some parts)	
Data output	USB port (USB2.0), Ethernet interface (10BASE-T, 100BASE-TX)	

1: The speed and accuracy vary according to the products to be weighed and the rejector.

2: The size of products to be weighed depends on the rejector; select a checkweigher together with a rejector. Consult us about semi-transparent and transparent products.

Note: The noise level of the checkweighers does not exceed 70 dB (A).

# High Accuracy

SSV-h series and duw/duw-h Metal Detector **SSV-h** **duw** **duw-h**

## KWS6005 type

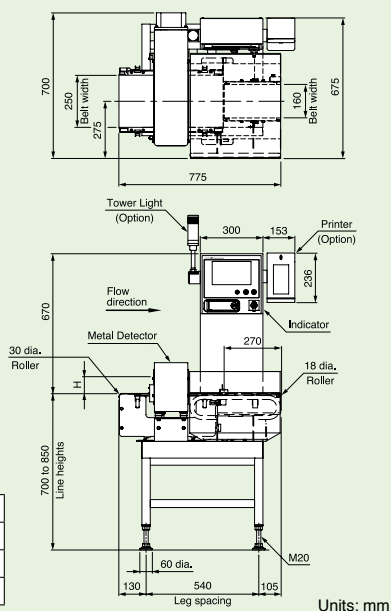
Weighing range : **0.4 to 100 g**

Maximum accuracy (3 $\sigma$ ) : **± 0.01 g**

Maximum speed : **310** products/min

### External Dimensions (with duw series)

KWS6005BF□D  
KWS6005BP□D

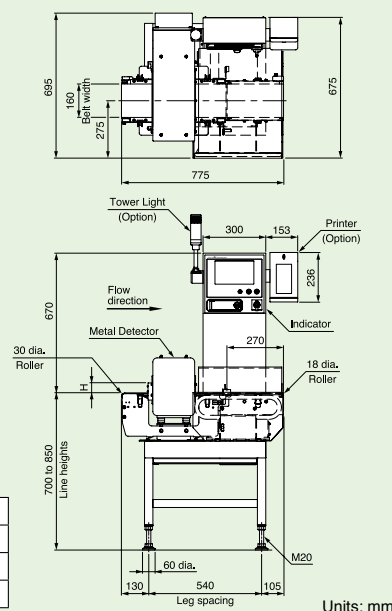


H	Model
80	KWS6005B△3D
120	KWS6005B△5D
180	KWS6005B△6D

Units: mm

### External Dimensions (with duw-h series)

KWS6005BF□E  
KWS6005BP□E



H	Model
50	KWS6005B△2E
80	KWS6005B△3E
100	KWS6005B△4E

Units: mm

### Specifications

Model	KWS6005BF3D / KWS6005BF5D / KWS6005BF6D KWS6005BP3D / KWS6005BP5D / KWS6005BP6D	KWS6005BF2E / KWS6005BF3E / KWS6005BF4E KWS6005BP2E / KWS6005BP3E / KWS6005BP4E
Weighing range	0.4 to 100 g	
Scale interval	0.001 g	
Maximum speed <sup>1</sup>	310 products/min	
Maximum accuracy (3 $\sigma$ ) <sup>1</sup>	±0.01 g	
Display	8.5-inch color TFT LCD	
Operation method	Touch panel (Start, Stop, and Home are direct push buttons)	
Indication range	100.45 g	
Preset memory	Maximum 200	
Classification	2 or 3	
Product size <sup>2</sup>	Width W	20 to 160 mm
	Length L	58 to 230 mm
	Height H	<b>3D:</b> 5 to 80 mm <b>5D:</b> 5 to 120 mm <b>6D:</b> 5 to 180 mm <b>2E:</b> 5 to 50 mm <b>3E:</b> 5 to 80 mm <b>4E:</b> 5 to 100 mm
Belt speed	15 to 92 m/min	
Power requirements	100 to 120 Vac +10% -15% or 200 to 240 Vac +10% -15%, single phase, 50/60 Hz, 200 VA, rush current 30 A (typ.) (20 ms or less)	
Mass	<b>3D:</b> 98 kg <b>5D:</b> 100 kg <b>6D:</b> 101 kg <b>2E:</b> 108 kg <b>3E:</b> 108 kg <b>4E:</b> 109 kg	
Environmental conditions	0° to 40°C (variation not to exceed 5°C/h to maintain accuracy), relative humidity 30% to 85%, non-condensing	
Protection class	IP30 compliance	
Exterior	F type: painted, P type: stainless steel (SUS304) (excluding some parts)	
Data output	USB port (USB2.0), Ethernet interface (10BASE-T, 100BASE-TX)	

1: The speed and accuracy vary according to the products to be weighed and the rejector.

2: The size of products to be weighed depends on the rejector; select a checkweigher together with a rejector. Consult us about semi-transparent and transparent products.

Note: The noise level of the checkweighers does not exceed 70 dB (A).

# High Accuracy

SSV-h series and duw/duw-h Metal Detector **SSV-h** **duw** **duw-h**

## KWS6006 type

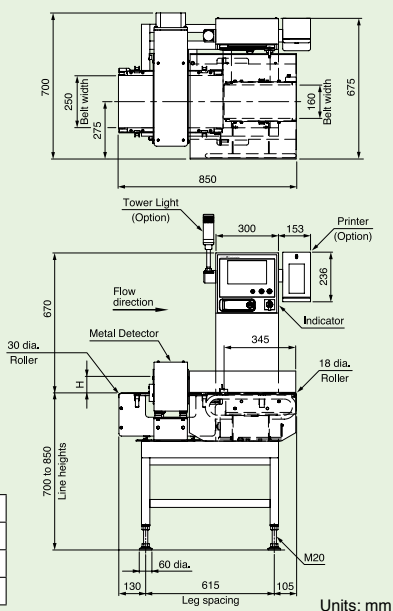
Weighing range : **0.4 to 100 g**

Maximum accuracy (3 $\sigma$ ) : **± 0.01 g**

Maximum speed : **320** products/min

### External Dimensions (with duw series)

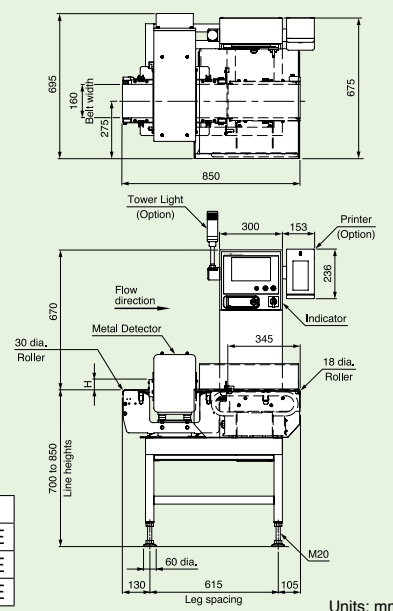
KWS6006BF□D  
KWS6006BP□D



H	Model
80	KWS6006B△3D
120	KWS6006B△5D
180	KWS6006B△6D

### External Dimensions (with duw-h series)

KWS6006BF□E  
KWS6006BP□E



H	Model
50	KWS6006B△2E
80	KWS6006B△3E
100	KWS6006B△4E

### Specifications

Model	KWS6006BF3D / KWS6006BF5D / KWS6006BF6D KWS6006BP3D / KWS6006BP5D / KWS6006BP6D	KWS6006BF2E / KWS6006BF3E / KWS6006BF4E KWS6006BP2E / KWS6006BP3E / KWS6006BP4E
Weighing range	0.4 to 100 g	
Scale interval	0.001 g	
Maximum speed <sup>1</sup>	320 products/min	
Maximum accuracy (3 $\sigma$ ) <sup>1</sup>	±0.01 g	
Display	8.5-inch color TFT LCD	
Operation method	Touch panel (Start, Stop, and Home are direct push buttons)	
Indication range	100.45 g	
Preset memory	Maximum 200	
Classification	2 or 3	
Product size <sup>2</sup>	Width W	20 to 160 mm
	Length L	58 to 320 mm
	Height H	<b>3D:</b> 5 to 80 mm <b>5D:</b> 5 to 120 mm <b>6D:</b> 5 to 180 mm <b>2E:</b> 5 to 50 mm <b>3E:</b> 5 to 80 mm <b>4E:</b> 5 to 100 mm
Belt speed	15 to 120 m/min	
Power requirements	100 to 120 Vac +10% -15% or 200 to 240 Vac +10% -15%, single phase, 50/60 Hz, 200 VA, rush current 30 A (typ.) (20 ms or less)	
Mass	<b>3D:</b> 98 kg <b>5D:</b> 100 kg <b>6D:</b> 101 kg <b>2E:</b> 108 kg <b>3E:</b> 108 kg <b>4E:</b> 109 kg	
Environmental conditions	0° to 40°C (variation not to exceed 5°C/h to maintain accuracy), relative humidity 30% to 85%, non-condensing	
Protection class	IP30 compliance	
Exterior	F type: painted, P type: stainless steel (SUS304) (excluding some parts)	
Data output	USB port (USB2.0), Ethernet interface (10BASE-T, 100BASE-TX)	

1: The speed and accuracy vary according to the products to be weighed and the rejector.

2: The size of products to be weighed depends on the rejector; select a checkweigher together with a rejector. Consult us about semi-transparent and transparent products.

Note: The noise level of the checkweighers does not exceed 70 dB (A).

# High Accuracy

SSV-h series and duw/duw-h Metal Detector **SSV-h** **duw** **duw-h**

## KWS6203 type

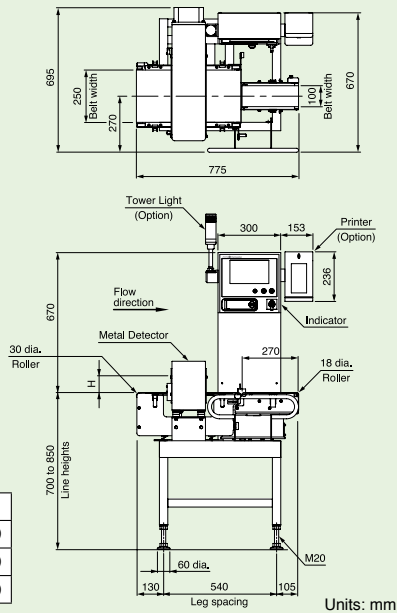
Weighing range : **1.2 to 600 g**

Maximum accuracy (3 $\sigma$ ) : **± 0.015 g**

Maximum speed : **400** products/min

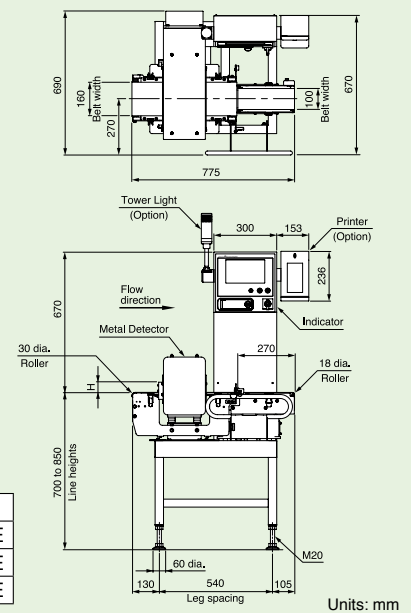
### External Dimensions (with duw series)

KWS6203BF□D  
KWS6203BP□D



### External Dimensions (with duw-h series)

KWS6203BF□E  
KWS6203BP□E



### Specifications

Model	KWS6203BF3D / KWS6203BF5D / KWS6203BF6D KWS6203BP3D / KWS6203BP5D / KWS6203BP6D	KWS6203BF2E / KWS6203BF3E / KWS6203BF4E KWS6203BP2E / KWS6203BP3E / KWS6203BP4E
Weighing range	1.2 to 600 g	
Scale interval	0.01 g	
Maximum speed <sup>1</sup>	400 products/min	
Maximum accuracy (3 $\sigma$ ) <sup>1</sup>	±0.015 g	
Display	8.5-inch color TFT LCD	
Operation method	Touch panel (Start, Stop, and Home are direct push buttons)	
Indication range	600.9 g	
Preset memory	Maximum 200	
Classification	2 or 3	
Product size <sup>2</sup>	Width W	20 to 100 mm
	Length L	58 to 230 mm
	Height H	<b>3D:</b> 5 to 80 mm <b>5D:</b> 5 to 120 mm <b>6D:</b> 5 to 180 mm <b>2E:</b> 5 to 50 mm <b>3E:</b> 5 to 80 mm <b>4E:</b> 5 to 100 mm
Belt speed	15 to 120 m/min	
Power requirements	100 to 120 Vac +10% -15% or 200 to 240 Vac +10% -15%, single phase, 50/60 Hz, 200 VA, rush current 30 A (typ.) (20 ms or less)	
Mass	<b>3D:</b> 98 kg <b>5D:</b> 100 kg <b>6D:</b> 101 kg <b>2E:</b> 108 kg <b>3E:</b> 108 kg <b>4E:</b> 109 kg	
Environmental conditions	0° to 40°C (variation not to exceed 5°C/h to maintain accuracy), relative humidity 30% to 85%, non-condensing	
Protection class	IP30 compliance	
Exterior	F type: painted, P type: stainless steel (SUS304) (excluding some parts)	
Data output	USB port (USB2.0), Ethernet interface (10BASE-T, 100BASE-TX)	

1: The speed and accuracy vary according to the products to be weighed and the rejector.

2: The size of products to be weighed depends on the rejector; select a checkweigher together with a rejector. Consult us about semi-transparent and transparent products.

Note: The noise level of the checkweighers does not exceed 70 dB (A).

# High Accuracy

SSV-h series and duw/duw-h Metal Detector **SSV-h** **duw** **duw-h**

## KWS6205 type

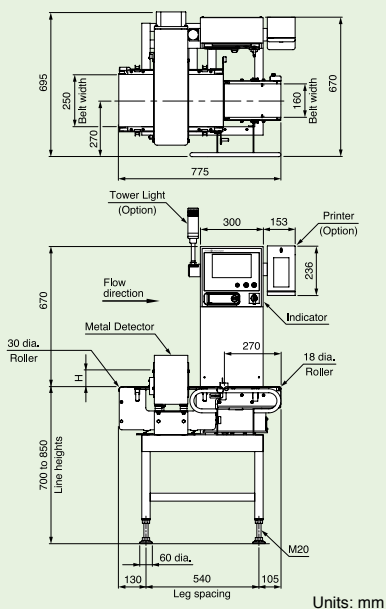
Weighing range : **1.2 to 600 g**

Maximum accuracy (3 $\sigma$ ) : **± 0.015 g**

Maximum speed : **400** products/min

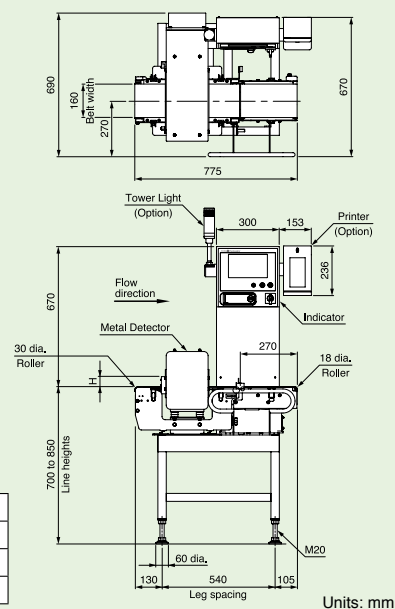
### External Dimensions (with duw series)

KWS6205BF□D  
KWS6205BP□D



### External Dimensions (with duw-h series)

KWS6205BF□E  
KWS6205BP□E



### Specifications

Model	KWS6205BF3D / KWS6205BF5D / KWS6205BF6D KWS6205BP3D / KWS6205BP5D / KWS6205BP6D	KWS6205BF2E / KWS6205BF3E / KWS6205BF4E KWS6205BP2E / KWS6205BP3E / KWS6205BP4E
Weighing range	1.2 to 600 g	
Scale interval	0.01 g	
Maximum speed <sup>1</sup>	400 products/min	
Maximum accuracy (3 $\sigma$ ) <sup>1</sup>	±0.015 g	
Display	8.5-inch color TFT LCD	
Operation method	Touch panel (Start, Stop, and Home are direct push buttons)	
Indication range	600.9 g	
Preset memory	Maximum 200	
Classification	2 or 3	
Product size <sup>2</sup>	Width W	20 to 160 mm
	Length L	58 to 230 mm
	Height H	<b>3D:</b> 5 to 80 mm <b>5D:</b> 5 to 120 mm <b>6D:</b> 5 to 180 mm <b>2E:</b> 5 to 50 mm <b>3E:</b> 5 to 80 mm <b>4E:</b> 5 to 100 mm
Belt speed	15 to 120 m/min	
Power requirements	100 to 120 Vac +10% -15% or 200 to 240 Vac +10% -15%, single phase, 50/60 Hz, 200 VA, rush current 30 A (typ.) (20 ms or less)	
Mass	<b>3D:</b> 98 kg <b>5D:</b> 100 kg <b>6D:</b> 101 kg <b>2E:</b> 108 kg <b>3E:</b> 108 kg <b>4E:</b> 109 kg	
Environmental conditions	0° to 40°C (variation not to exceed 5°C/h to maintain accuracy), relative humidity 30% to 85%, non-condensing	
Protection class	IP30 compliance	
Exterior	F type: painted, P type: stainless steel (SUS304) (excluding some parts)	
Data output	USB port (USB2.0), Ethernet interface (10BASE-T, 100BASE-TX)	

1: The speed and accuracy vary according to the products to be weighed and the rejector.

2: The size of products to be weighed depends on the rejector; select a checkweigher together with a rejector. Consult us about semi-transparent and transparent products.

Note: The noise level of the checkweighers does not exceed 70 dB (A).



# High Accuracy

SSV-h series and duw/duw-h Metal Detector **SSV-h** **duw** **duw-h**

## KWS6206 type

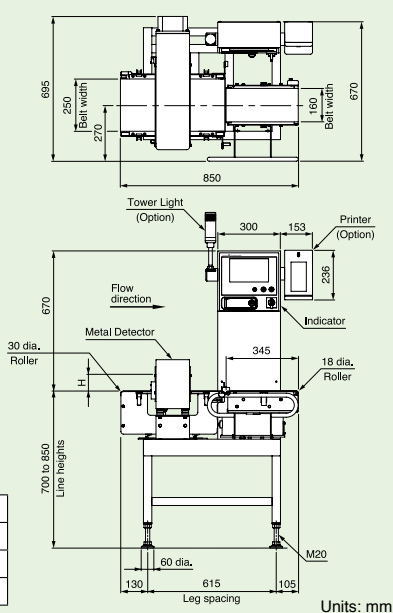
Weighing range : **1.2 to 600 g**

Maximum accuracy (3 $\sigma$ ) : **± 0.015 g**

Maximum speed : **320** products/min

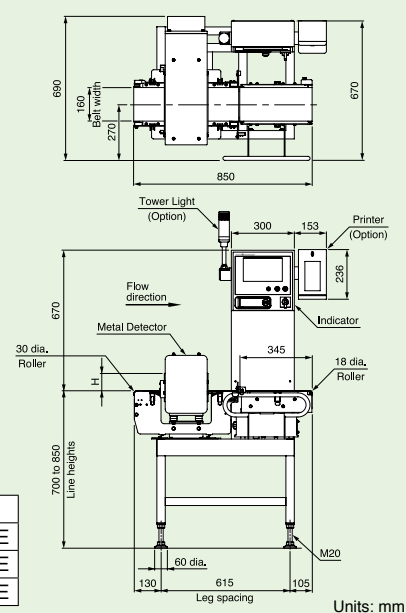
### External Dimensions (with duw series)

KWS6206BF□D  
KWS6206BP□D



### External Dimensions (with duw-h series)

KWS6206BF□E  
KWS6206BP□E



### Specifications

Model	KWS6206BF3D / KWS6206BF5D / KWS6206BF6D KWS6206BP3D / KWS6206BP5D / KWS6206BP6D	KWS6206BF2E / KWS6206BF3E / KWS6206BF4E KWS6206BP2E / KWS6206BP3E / KWS6206BP4E
Weighing range	1.2 to 600 g	
Scale interval	0.01 g	
Maximum speed <sup>1</sup>	320 products/min	
Maximum accuracy (3 $\sigma$ ) <sup>1</sup>	±0.015 g	
Display	8.5-inch color TFT LCD	
Operation method	Touch panel (Start, Stop, and Home are direct push buttons)	
Indication range	600.9 g	
Preset memory	Maximum 200	
Classification	2 or 3	
Product size <sup>2</sup>	Width W	20 to 160 mm
	Length L	58 to 320 mm
	Height H	<b>3D:</b> 5 to 80 mm <b>5D:</b> 5 to 120 mm <b>6D:</b> 5 to 180 mm <b>2E:</b> 5 to 50 mm <b>3E:</b> 5 to 80 mm <b>4E:</b> 5 to 100 mm
Belt speed	15 to 120 m/min	
Power requirements	100 to 120 Vac +10% -15% or 200 to 240 Vac +10% -15%, single phase, 50/60 Hz, 200 VA, rush current 30 A (typ.) (20 ms or less)	
Mass	<b>3D:</b> 98 kg <b>5D:</b> 100 kg <b>6D:</b> 101 kg <b>2E:</b> 108 kg <b>3E:</b> 108 kg <b>4E:</b> 109 kg	
Environmental conditions	0° to 40°C (variation not to exceed 5°C/h to maintain accuracy), relative humidity 30% to 85%, non-condensing	
Protection class	IP30 compliance	
Exterior	F type: painted, P type: stainless steel (SUS304) (excluding some parts)	
Data output	USB port (USB2.0), Ethernet interface (10BASE-T, 100BASE-TX)	

1: The speed and accuracy vary according to the products to be weighed and the rejector.

2: The size of products to be weighed depends on the rejector; select a checkweigher together with a rejector. Consult us about semi-transparent and transparent products.

Note: The noise level of the checkweighers does not exceed 70 dB (A).

# High Accuracy

SSV-h series and duw/duw-h Metal Detector **SSV-h** **duw** **duw-h**

## KWS6411 type

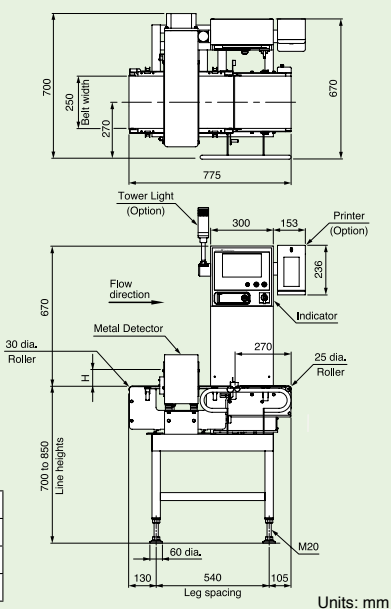
Weighing range : **6 to 3000 g**

Maximum accuracy (3 $\sigma$ ) :  **$\pm 0.1$  g**

Maximum speed : **400** products/min

### External Dimensions (with duw series)

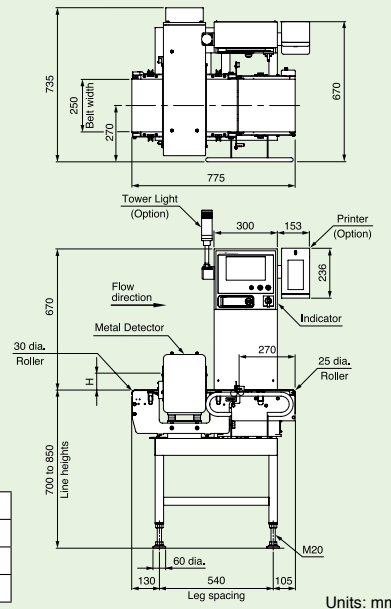
KWS6411BF□D  
KWS6411BP□D



H	Model
80	KWS6411B△3D
120	KWS6411B△5D
180	KWS6411B△6D

### External Dimensions (with duw-h series)

KWS6411BF□E  
KWS6411BP□E



H	Model
50	KWS6411B△2E
80	KWS6411B△3E
120	KWS6411B△5E

Units: mm

### Specifications

Model	KWS6411BF3D / KWS6411BF5D / KWS6411BF6D KWS6411BP3D / KWS6411BP5D / KWS6411BP6D	KWS6411BF2E / KWS6411BF3E / KWS6411BF5E KWS6411BP2E / KWS6411BP3E / KWS6411BP5E
Weighing range	6 to 3000 g	
Scale interval	0.05 g	
Maximum speed <sup>1</sup>	400 products/min	
Maximum accuracy (3 $\sigma$ ) <sup>1</sup>	$\pm 0.1$ g	
Display	8.5-inch color TFT LCD	
Operation method	Touch panel (Start, Stop, and Home are direct push buttons)	
Indication range	3004.5 g	
Preset memory	Maximum 200	
Classification	2 or 3	
Product size <sup>2</sup>	Width W	20 to 250 mm
	Length L	65 to 230 mm
	Height H	<b>3D:</b> 5 to 80 mm <b>5D:</b> 5 to 120 mm <b>6D:</b> 5 to 180 mm <b>2E:</b> 5 to 50 mm <b>3E:</b> 5 to 80 mm <b>5E:</b> 5 to 120 mm
Belt speed	15 to 120 m/min	
Power requirements	100 to 120 Vac +10% -15% or 200 to 240 Vac +10% -15%, single phase, 50/60 Hz, 300 VA, rush current 30 A (typ.) (20 ms or less)	
Mass	<b>3D:</b> 101 kg <b>5D:</b> 103 kg <b>6D:</b> 104 kg <b>2E:</b> 115 kg <b>3E:</b> 115 kg <b>5E:</b> 117 kg	
Environmental conditions	0° to 40°C (variation not to exceed 5°C/h to maintain accuracy), relative humidity 30% to 85%, non-condensing	
Protection class	IP30 compliance	
Exterior	F type: painted, P type: stainless steel (SUS304) (excluding some parts)	
Data output	USB port (USB2.0), Ethernet interface (10BASE-T, 100BASE-TX)	

1: The speed and accuracy vary according to the products to be weighed and the rejector.

2: The size of products to be weighed depends on the rejector; select a checkweigher together with a rejector. Consult us about semi-transparent and transparent products.

Note: The noise level of the checkweighers does not exceed 70 dB (A).

# High Accuracy

SSV-h series and duw/duw-h Metal Detector **SSV-h** **duw** **duw-h**

## KWS6412 type

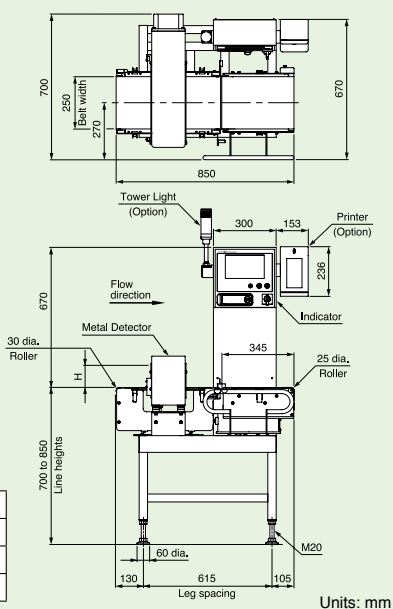
Weighing range : **6 to 3000 g**

Maximum accuracy (3 $\sigma$ ) : **± 0.1 g**

Maximum speed : **320** products/min

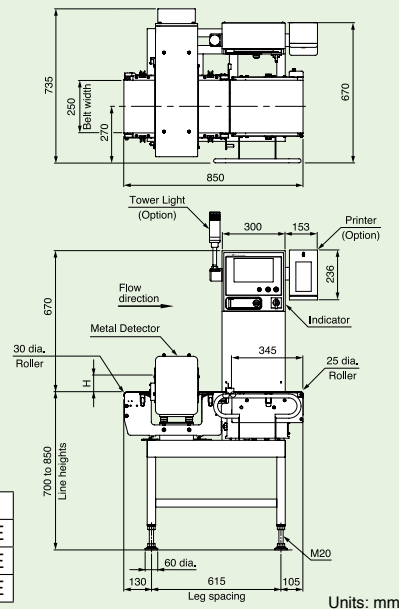
### External Dimensions (with duw series)

KWS6412BF□D  
KWS6412BP□D



### External Dimensions (with duw-h series)

KWS6412BF□E  
KWS6412BP□E



### Specifications

Model	KWS6412BF3D / KWS6412BF5D / KWS6412BF6D KWS6412BP3D / KWS6412BP5D / KWS6412BP6D	KWS6412BF2E / KWS6412BF3E / KWS6412BF5E KWS6412BP2E / KWS6412BP3E / KWS6412BP5E
Weighing range	6 to 3000 g	
Scale interval	0.05 g	
Maximum speed <sup>1</sup>	320 products/min	
Maximum accuracy (3 $\sigma$ ) <sup>1</sup>	±0.1 g	
Display	8.5-inch color TFT LCD	
Operation method	Touch panel (Start, Stop, and Home are direct push buttons)	
Indication range	3004.5 g	
Preset memory	Maximum 200	
Classification	2 or 3	
Product size <sup>2</sup>	Width W	20 to 250 mm
	Length L	65 to 320 mm
	Height H	<b>3D</b> : 5 to 80 mm <b>5D</b> : 5 to 120 mm <b>6D</b> : 5 to 180 mm <b>2E</b> : 5 to 50 mm <b>3E</b> : 5 to 80 mm <b>5E</b> : 5 to 120 mm
Belt speed	15 to 120 m/min	
Power requirements	100 to 120 Vac +10% -15% or 200 to 240 Vac +10% -15%, single phase, 50/60 Hz, 300 VA, rush current 30 A (typ.) (20 ms or less)	
Mass	<b>3D</b> : 102 kg <b>5D</b> : 104 kg <b>6D</b> : 105 kg <b>2E</b> : 116 kg <b>3E</b> : 116 kg <b>5E</b> : 118 kg	
Environmental conditions	0° to 40°C (variation not to exceed 5°C/h to maintain accuracy), relative humidity 30% to 85%, non-condensing	
Protection class	IP30 compliance	
Exterior	F type: painted, P type: stainless steel (SUS304) (excluding some parts)	
Data output	USB port (USB2.0), Ethernet interface (10BASE-T, 100BASE-TX)	

1: The speed and accuracy vary according to the products to be weighed and the rejector.

2: The size of products to be weighed depends on the rejector; select a checkweigher together with a rejector. Consult us about semi-transparent and transparent products.

Note: The noise level of the checkweighers does not exceed 70 dB (A).

# High Accuracy

SSV-h series and duw/duw-h Metal Detector **SSV-h** **duw** **duw-h**

## KWS6414 type

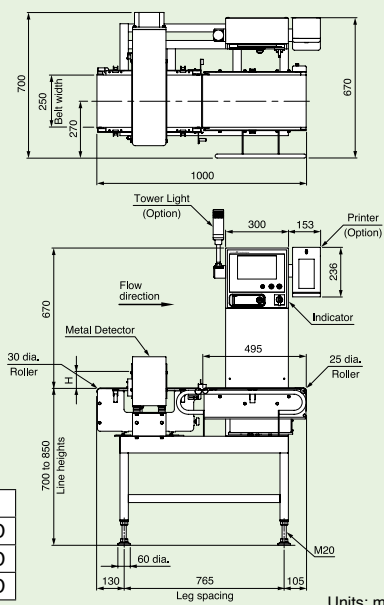
Weighing range : **6 to 3000 g**

Maximum accuracy (3 $\sigma$ ) :  **$\pm 0.1$  g**

Maximum speed : **220** products/min

### External Dimensions (with duw series)

KWS6414BF□D  
KWS6414BP□D

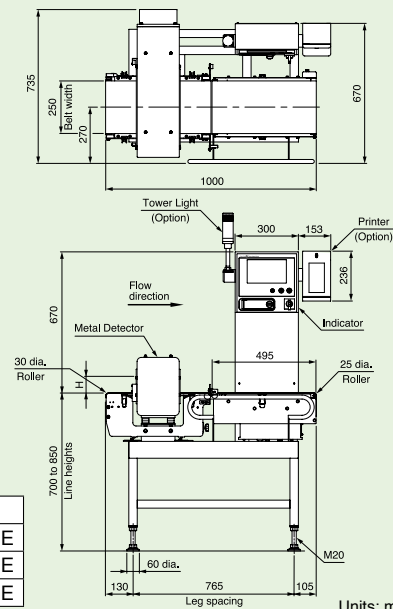


H	Model
80	KWS6414B△3D
120	KWS6414B△5D
180	KWS6414B△6D

Units: mm

### External Dimensions (with duw-h series)

KWS6414BF□E  
KWS6414BP□E



H	Model
50	KWS6414B△2E
80	KWS6414B△3E
120	KWS6414B△5E

Units: mm

### Specifications

Model	KWS6414BF3D / KWS6414BF5D / KWS6414BF6D KWS6414BP3D / KWS6414BP5D / KWS6414BP6D	KWS6414BF2E / KWS6414BF3E / KWS6414BF5E KWS6414BP2E / KWS6414BP3E / KWS6414BP5E
Weighing range	6 to 3000 g	
Scale interval	0.05 g	
Maximum speed <sup>1</sup>	220 products/min	
Maximum accuracy (3 $\sigma$ ) <sup>1</sup>	$\pm 0.1$ g	
Display	8.5-inch color TFT LCD	
Operation method	Touch panel (Start, Stop, and Home are direct push buttons)	
Indication range	3004.5 g	
Preset memory	Maximum 200	
Classification	2 or 3	
Product size <sup>2</sup>	Width W	20 to 250 mm
	Length L	65 to 450 mm
	Height H	<b>3D</b> : 5 to 80 mm <b>5D</b> : 5 to 120 mm <b>6D</b> : 5 to 180 mm <b>2E</b> : 5 to 50 mm <b>3E</b> : 5 to 80 mm <b>5E</b> : 5 to 120 mm
Belt speed	15 to 120 m/min	
Power requirements	100 to 120 Vac +10% -15% or 200 to 240 Vac +10% -15%, single phase, 50/60 Hz, 300 VA, rush current 30 A (typ.) (20 ms or less)	
Mass	<b>3D</b> : 103 kg <b>5D</b> : 105 kg <b>6D</b> : 106 kg <b>2E</b> : 117 kg <b>3E</b> : 117 kg <b>5E</b> : 119 kg	
Environmental conditions	0° to 40°C (variation not to exceed 5°C/h to maintain accuracy), relative humidity 30% to 85%, non-condensing	
Protection class	IP30 compliance	
Exterior	F type: painted, P type: stainless steel (SUS304) (excluding some parts)	
Data output	USB port (USB2.0), Ethernet interface (10BASE-T, 100BASE-TX)	

1: The speed and accuracy vary according to the products to be weighed and the rejector.

2: The size of products to be weighed depends on the rejector; select a checkweigher together with a rejector. Consult us about semi-transparent and transparent products.

Note: The noise level of the checkweighers does not exceed 70 dB (A).

# High Accuracy

SSV-h series and duw/duw-h Metal Detector **SSV-h** **duw** **duw-h**

## KWS6416 type

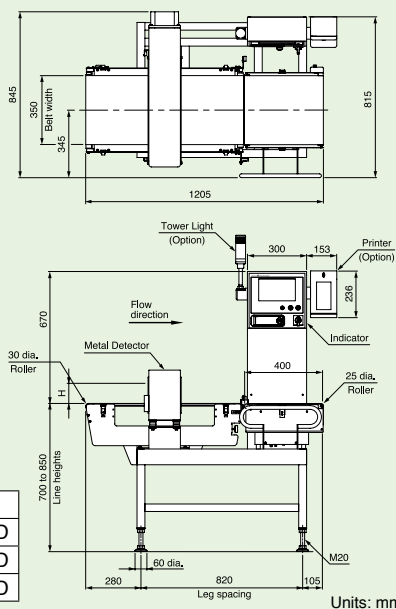
Weighing range : **6 to 3000 g**

Maximum accuracy (3 $\sigma$ ) : **± 0.1 g**

Maximum speed : **210** products/min

### External Dimensions (with duw series)

KWS6416BF□D  
KWS6416BP□D

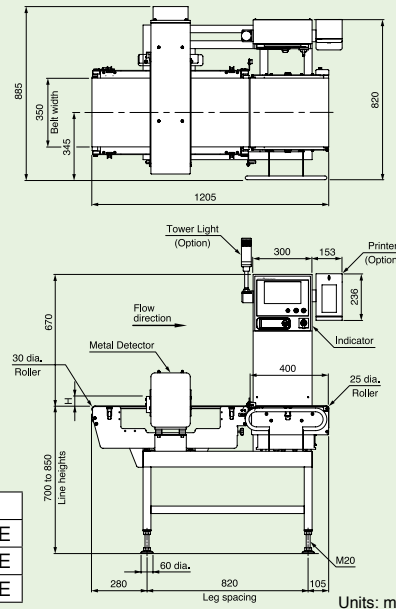


H	Model
100	KWS6416B△4D
130	KWS6416B△5D
180	KWS6416B△6D

Units: mm

### External Dimensions (with duw-h series)

KWS6416BF□E  
KWS6416BP□E



H	Model
50	KWS6416B△2E
100	KWS6416B△4E
130	KWS6416B△5E

Units: mm

### Specifications

Model	KWS6416BF4D / KWS6416BF5D / KWS6416BF6D KWS6416BP4D / KWS6416BP5D / KWS6416BP6D	KWS6416BF2E / KWS6416BF4E / KWS6416BF5E KWS6416BP2E / KWS6416BP4E / KWS6416BP5E
Weighing range	6 to 3000 g	
Scale interval	0.05 g	
Maximum speed <sup>1</sup>	210 products/min	
Maximum accuracy (3 $\sigma$ ) <sup>1</sup>	±0.1 g	
Display	8.5-inch color TFT LCD	
Operation method	Touch panel (Start, Stop, and Home are direct push buttons)	
Indication range	3004.5 g	
Preset memory	Maximum 200	
Classification	2 or 3	
Product size <sup>2</sup>	Width W	20 to 350 mm
	Length L	65 to 350 mm
	Height H	<b>4D:</b> 5 to 100 mm <b>5D:</b> 5 to 130 mm <b>6D:</b> 5 to 180 mm <b>2E:</b> 5 to 50 mm <b>4E:</b> 5 to 100 mm <b>5E:</b> 5 to 130 mm
Belt speed	15 to 91 m/min	
Power requirements	100 to 120 Vac +10% -15% or 200 to 240 Vac +10% -15%, single phase, 50/60 Hz, 300 VA, rush current 30 A (typ.) (20 ms or less)	
Mass	<b>4D:</b> 128 kg <b>5D:</b> 130 kg <b>6D:</b> 131 kg <b>2E:</b> 146 kg <b>4E:</b> 148 kg <b>5E:</b> 152 kg	
Environmental conditions	0° to 40°C (variation not to exceed 5°C/h to maintain accuracy), relative humidity 30% to 85%, non-condensing	
Protection class	IP30 compliance	
Exterior	F type: painted, P type: stainless steel (SUS304) (excluding some parts)	
Data output	USB port (USB2.0), Ethernet interface (10BASE-T, 100BASE-TX)	

1: The speed and accuracy vary according to the products to be weighed and the rejector.

2: The size of products to be weighed depends on the rejector; select a checkweigher together with a rejector. Consult us about semi-transparent and transparent products.

Note: The noise level of the checkweighers does not exceed 70 dB (A).

# High Accuracy

SSV-h series and duw/duw-h Metal Detector **SSV-h** **duw** **duw-h**

## KWS6417 type

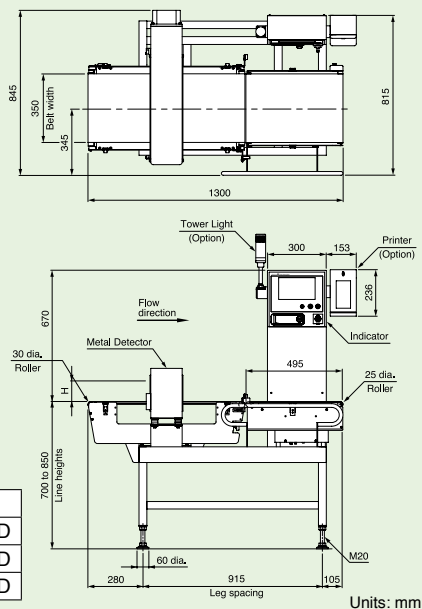
Weighing range : **6 to 3000 g**

Maximum accuracy (3σ) : **± 0.1 g**

Maximum speed : **170 products/min**

### External Dimensions (with duw series)

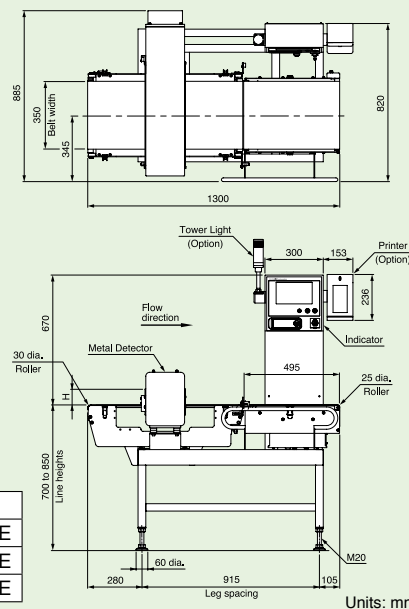
KWS6417BF□D  
KWS6417BP□D



H	Model
100	KWS6417B△4D
130	KWS6417B△5D
180	KWS6417B△6D

### External Dimensions (with duw-h series)

KWS6417BF□E  
KWS6417BP□E



H	Model
50	KWS6417B△2E
100	KWS6417B△4E
130	KWS6417B△5E

### Specifications

Model	KWS6417BF4D / KWS6417BF5D / KWS6417BF6D KWS6417BP4D / KWS6417BP5D / KWS6417BP6D	KWS6417BF2E / KWS6417BF4E / KWS6417BF5E KWS6417BP2E / KWS6417BP4E / KWS6417BP5E
Weighing range	6 to 3000 g	
Scale interval	0.05 g	
Maximum speed <sup>1</sup>	170 products/min	
Maximum accuracy (3σ) <sup>1</sup>	±0.1 g	
Display	8.5-inch color TFT LCD	
Operation method	Touch panel (Start, Stop, and Home are direct push buttons)	
Indication range	3004.5 g	
Preset memory	Maximum 200	
Classification	2 or 3	
Product size <sup>2</sup>	Width W	20 to 350 mm
	Length L	65 to 450 mm
	Height H	<b>4D:</b> 5 to 100 mm <b>5D:</b> 5 to 130 mm <b>6D:</b> 5 to 180 mm <b>2E:</b> 5 to 50 mm <b>4E:</b> 5 to 100 mm <b>5E:</b> 5 to 130 mm
Belt speed	15 to 91 m/min	
Power requirements	100 to 120 Vac +10% -15% or 200 to 240 Vac +10% -15%, single phase, 50/60 Hz, 300 VA, rush current 30 A (typ.) (20 ms or less)	
Mass	<b>4D:</b> 132 kg <b>5D:</b> 134 kg <b>6D:</b> 135 kg <b>2E:</b> 150 kg <b>4E:</b> 152 kg <b>5E:</b> 156 kg	
Environmental conditions	0° to 40°C (variation not to exceed 5°C/h to maintain accuracy), relative humidity 30% to 85%, non-condensing	
Protection class	IP30 compliance	
Exterior	F type: painted, P type: stainless steel (SUS304) (excluding some parts)	
Data output	USB port (USB2.0), Ethernet interface (10BASE-T, 100BASE-TX)	

1: The speed and accuracy vary according to the products to be weighed and the rejector.

2: The size of products to be weighed depends on the rejector; select a checkweigher together with a rejector. Consult us about semi-transparent and transparent products.

Note: The noise level of the checkweighers does not exceed 70 dB (A).

# Waterproof

SSV-i series and duw/duw-h Metal Detector **SSV-i** **duw** **duw-h**

## KWS6265 type

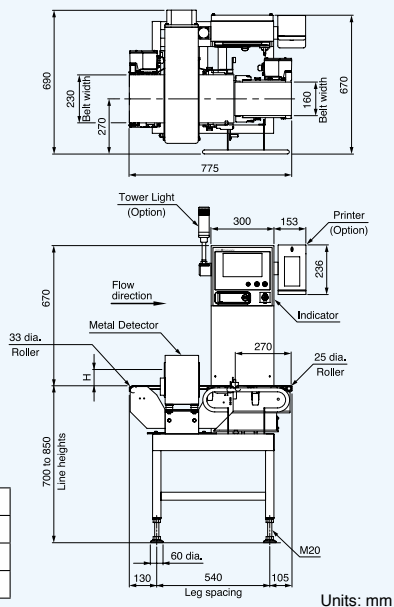
Weighing range : **6 to 600 g**

Maximum accuracy (3 $\sigma$ ) : **± 0.1 g**

Maximum speed : **280** products/min

### External Dimensions (with duw series)

KWS6265BW□D

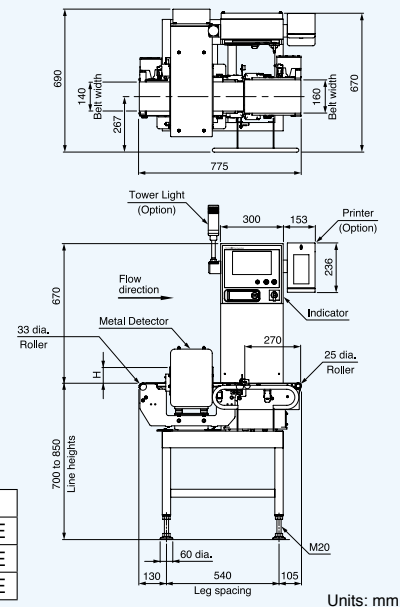


H	Model
75	KWS6265BW3D
115	KWS6265BW5D
175	KWS6265BW6D

Units: mm

### External Dimensions (with duw-h series)

KWS6265BW□E



H	Model
45	KWS6265BW2E
75	KWS6265BW3E
95	KWS6265BW4E

Units: mm

### Specifications

Model	KWS6265BW3D / KWS6265BW5D / KWS6265BW6D	KWS6265BW2E / KWS6265BW3E / KWS6265BW4E
Weighing range	6 to 600 g	
Scale interval	0.01 g	
Maximum speed <sup>1</sup>	280 products/min	
Maximum accuracy (3 $\sigma$ ) <sup>1</sup>	±0.1 g	
Display	8.5-inch color TFT LCD	
Operation method	Touch panel (Start, Stop, and Home are direct push buttons)	
Indication range	601.8 g	
Preset memory	Maximum 200	
Classification	2 or 3	
Product size <sup>2</sup>	Width W	20 to 160 mm
	Length L	68 to 200 mm
	Height H	<b>3D:</b> 5 to 75 mm <b>5D:</b> 5 to 115 mm <b>6D:</b> 5 to 175 mm <b>2E:</b> 5 to 45 mm <b>3E:</b> 5 to 75 mm <b>4E:</b> 5 to 95 mm
Belt speed	9 to 82 m/min	
Power requirements	100 to 120 Vac +10% -15% or 200 to 240 Vac +10% -15%, single phase, 50/60 Hz, 300 VA, rush current 30 A (typ.) (20 ms or less)	
Mass	<b>3D:</b> 106 kg <b>5D:</b> 108 kg <b>6D:</b> 109 kg <b>2E:</b> 116 kg <b>3E:</b> 116 kg <b>4E:</b> 117 kg	
Environmental conditions	0° to 40°C (variation not to exceed 5°C/h to maintain accuracy), relative humidity 30% to 85%, non-condensing	
Protection class	IP66 compliance	
Exterior	Stainless steel (SUS304)	
Data output	USB port (USB2.0), Ethernet interface (10BASE-T, 100BASE-TX)	

1: The speed and accuracy vary according to the products to be weighed and the rejector.

2: The size of products to be weighed depends on the rejector; select a checkweigher together with a rejector. Consult us about semi-transparent and transparent products.

Note: The noise level of the checkweighers does not exceed 70 dB (A).

# Waterproof

SSV-i series and duw/duw-h Metal Detector **SSV-i** **duw** **duw-h**

## KWS6366 type

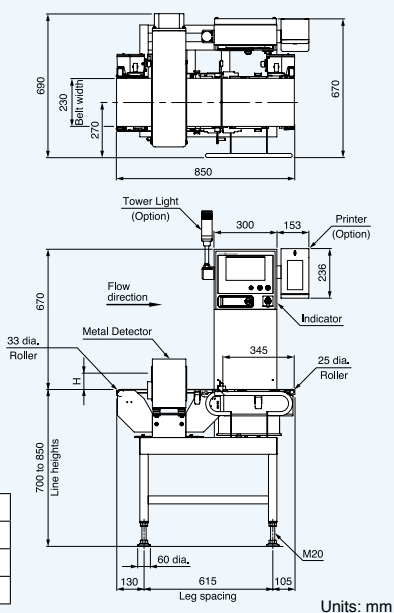
Weighing range : **12 to 1200 g**

Maximum accuracy (3 $\sigma$ ) : **± 0.1 g**

Maximum speed : **220** products/min

### External Dimensions (with duw series)

KWS6366BW□D

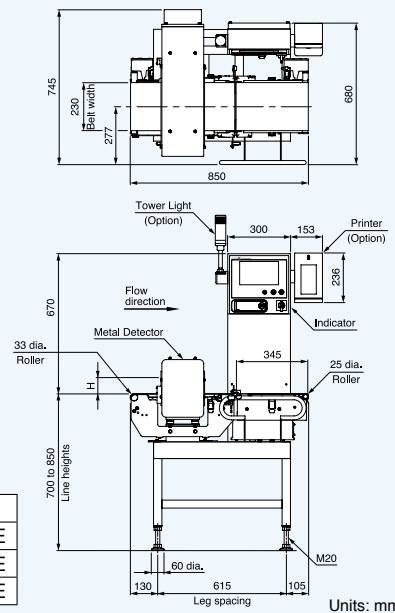


H	Model
75	KWS6366BW3D
115	KWS6366BW5D
175	KWS6366BW6D

Units: mm

### External Dimensions (with duw-h series)

KWS6366BW□E



H	Model
45	KWS6366BW2E
75	KWS6366BW3E
115	KWS6366BW5E

Units: mm

### Specifications

Model	KWS6366BW3D / KWS6366BW5D / KWS6366BW6D	KWS6366BW2E / KWS6366BW3E / KWS6366BW5E
Weighing range	12 to 1200 g	
Scale interval	0.02 g	
Maximum speed <sup>1</sup>	220 products/min	
Maximum accuracy (3 $\sigma$ ) <sup>1</sup>	±0.1 g	
Display	8.5-inch color TFT LCD	
Operation method	Touch panel (Start, Stop, and Home are direct push buttons)	
Indication range	1201.8 g	
Preset memory	Maximum 200	
Classification	2 or 3	
Product size <sup>2</sup>	Width W	20 to 230 mm
	Length L	68 to 320 mm
	Height H	<b>3D:</b> 5 to 75 mm <b>5D:</b> 5 to 115 mm <b>6D:</b> 5 to 175 mm <b>2E:</b> 5 to 45 mm <b>3E:</b> 5 to 75 mm <b>5E:</b> 5 to 115 mm
Belt speed	9 to 82 m/min	
Power requirements	100 to 120 Vac +10% -15% or 200 to 240 Vac +10% -15%, single phase, 50/60 Hz, 300 VA, rush current 30 A (typ.) (20 ms or less)	
Mass	<b>3D:</b> 107 kg <b>5D:</b> 109 kg <b>6D:</b> 110 kg <b>2E:</b> 121 kg <b>3E:</b> 121 kg <b>5E:</b> 123 kg	
Environmental conditions	0° to 40°C (variation not to exceed 5°C/h to maintain accuracy), relative humidity 30% to 85%, non-condensing	
Protection class	IP66 compliance	
Exterior	Stainless steel (SUS304)	
Data output	USB port (USB2.0), Ethernet interface (10BASE-T, 100BASE-TX)	

<sup>1</sup>: The speed and accuracy vary according to the products to be weighed and the rejector.

<sup>2</sup>: The size of products to be weighed depends on the rejector; select a checkweigher together with a rejector. Consult us about semi-transparent and transparent products.

Note: The noise level of the checkweighers does not exceed 70 dB (A).



# Waterproof

SSV-i series and duw/duw-h Metal Detector **SSV-i** **duw** **duw-h**

## KWS6472 type

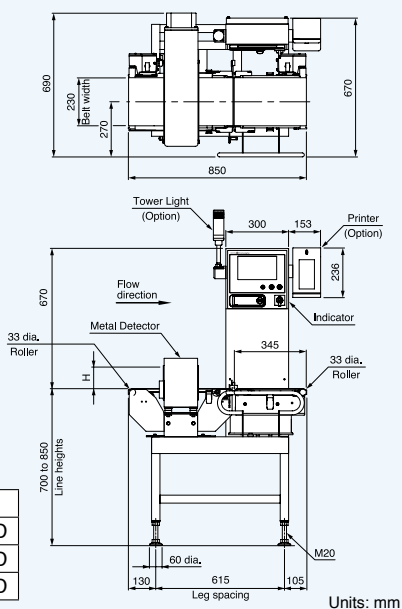
Weighing range : **30 to 3000 g [30 to 1200 g]**

Maximum accuracy (3 $\sigma$ ) :  **$\pm 0.1$  g**

Maximum speed : **160 [220]** products/min

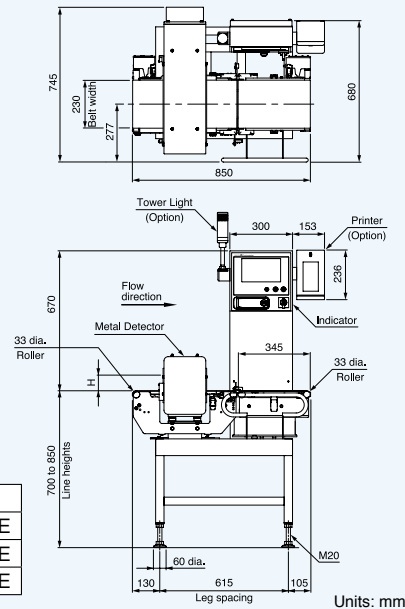
### External Dimensions (with duw series)

KWS6472BW□D



### External Dimensions (with duw-h series)

KWS6472BW□E



### Specifications

Model	KWS6472BW3D / KWS6472BW5D / KWS6472BW6D	KWS6472BW2E / KWS6472BW3E / KWS6472BW5E
Weighing range	30 to 3000 g [30 to 1200 g] <sup>3</sup>	
Scale interval	0.05 g [0.02 g] <sup>3</sup>	
Maximum speed <sup>1</sup>	160 [220] products/min <sup>3</sup>	
Maximum accuracy (3 $\sigma$ ) <sup>1</sup>	$\pm 0.1$ g	
Display	8.5-inch color TFT LCD	
Operation method	Touch panel (Start, Stop, and Home are direct push buttons)	
Indication range	3004.5 g [1201.8 g] <sup>3</sup>	
Preset memory	Maximum 200	
Classification	2 or 3	
Product size <sup>2</sup>	Width W	20 to 230 mm
	Length L	76 to 320 mm
	Height H	<b>3D:</b> 5 to 75 mm <b>5D:</b> 5 to 115 mm <b>6D:</b> 5 to 175 mm <b>2E:</b> 5 to 45 mm <b>3E:</b> 5 to 75 mm <b>5E:</b> 5 to 115 mm
Belt speed	7 to 60 [9 to 82] m/min <sup>3</sup>	
Power requirements	100 to 120 Vac +10% -15% or 200 to 240 Vac +10% -15%, single phase, 50/60 Hz, 300 VA, rush current 30 A (typ.) (20 ms or less)	
Mass	<b>3D:</b> 108 kg <b>5D:</b> 110 kg <b>6D:</b> 111 kg <b>2E:</b> 122 kg <b>3E:</b> 122 kg <b>5E:</b> 124 kg	
Environmental conditions	0° to 40°C (variation not to exceed 5°C/h to maintain accuracy), relative humidity 30% to 85%, non-condensing	
Protection class	IP66 compliance	
Exterior	Stainless steel (SUS304)	
Data output	USB port (USB2.0), Ethernet interface (10BASE-T, 100BASE-TX)	

1: The speed and accuracy vary according to the products to be weighed and the rejector.

2: The size of products to be weighed depends on the rejector; select a checkweigher together with a rejector. Consult us about semi-transparent and transparent products.

3: [ ] are optional. The maximum weighing range varies according to the operating environment.

Note: The noise level of the checkweighers does not exceed 70 dB (A).

# Waterproof

SSV-i series and duw/duw-h Metal Detector **SSV-i** **duw** **duw-h**

## KWS5265 type

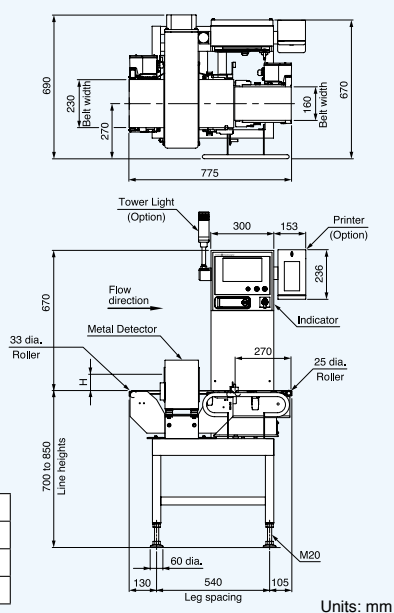
Weighing range : **6 to 600 g**

Maximum accuracy (3 $\sigma$ ) :  **$\pm 0.2$  g**

Maximum speed : **280** products/min

### External Dimensions (with duw series)

KWS5265BW□D

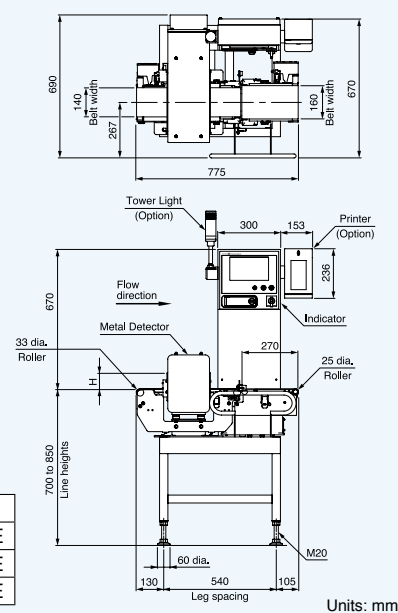


H	Model
75	KWS5265BW3D
115	KWS5265BW5D
175	KWS5265BW6D

Units: mm

### External Dimensions (with duw-h series)

KWS5265BW□E



H	Model
45	KWS5265BW2E
75	KWS5265BW3E
95	KWS5265BW4E

Units: mm

### Specifications

Model	KWS5265BW3D / KWS5265BW5D / KWS5265BW6D	KWS5265BW2E / KWS5265BW3E / KWS5265BW4E
Weighing range	6 to 600 g	
Scale interval	0.05 g	
Maximum speed <sup>1</sup>	280 products/min	
Maximum accuracy (3 $\sigma$ ) <sup>1</sup>	$\pm 0.2$ g	
Display	8.5-inch color TFT LCD	
Operation method	Touch panel (Start, Stop, and Home are direct push buttons)	
Indication range	604.5 g	
Preset memory	Maximum 200	
Classification	2 or 3	
Product size <sup>2</sup>	Width W	20 to 160 mm
	Length L	68 to 200 mm
	Height H	<b>3D:</b> 5 to 75 mm <b>5D:</b> 5 to 115 mm <b>6D:</b> 5 to 175 mm <b>2E:</b> 5 to 45 mm <b>3E:</b> 5 to 75 mm <b>4E:</b> 5 to 95 mm
Belt speed	9 to 82 m/min	
Power requirements	100 to 120 Vac +10% -15% or 200 to 240 Vac +10% -15%, single phase, 50/60 Hz, 300 VA, rush current 30 A (typ.) (20 ms or less)	
Mass	<b>3D:</b> 105 kg <b>5D:</b> 107 kg <b>6D:</b> 108 kg <b>2E:</b> 115 kg <b>3E:</b> 115 kg <b>4E:</b> 116 kg	
Environmental conditions	0° to 40°C (variation not to exceed 5°C/h to maintain accuracy), relative humidity 30% to 85%, non-condensing	
Protection class	IP66 compliance	
Exterior	Stainless steel (SUS304)	
Data output	USB port (USB2.0), Ethernet interface (10BASE-T, 100BASE-TX)	

1: The speed and accuracy vary according to the products to be weighed and the rejector.

2: The size of products to be weighed depends on the rejector; select a checkweigher together with a rejector. Consult us about semi-transparent and transparent products.

Note: The noise level of the checkweighers does not exceed 70 dB (A).

# Waterproof

SSV-i series and duw/duw-h Metal Detector SSV-i duw duw-h

## KWS5366 type

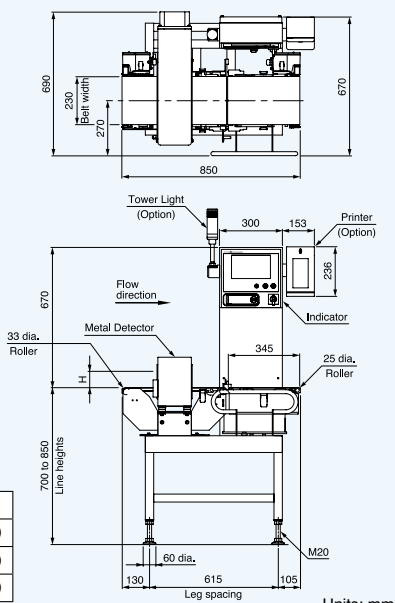
Weighing range : **12 to 1200 g**

Maximum accuracy (3 $\sigma$ ) :  **$\pm 0.2$  g**

Maximum speed : **220** products/min

### External Dimensions (with duw series)

KWS5366BW□D

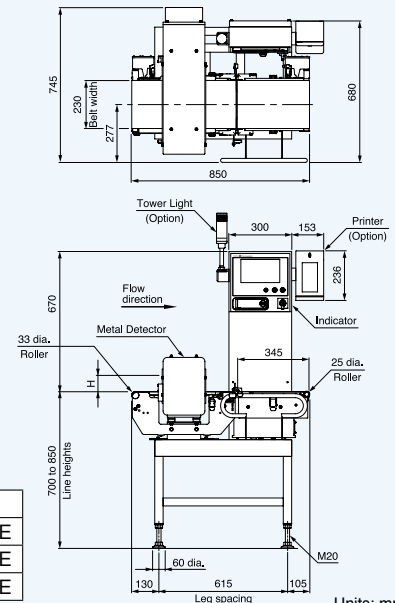


H	Model
75	KWS5366BW3D
115	KWS5366BW5D
175	KWS5366BW6D

Units: mm

### External Dimensions (with duw-h series)

KWS5366BW□E



H	Model
45	KWS5366BW2E
75	KWS5366BW3E
115	KWS5366BW5E

Units: mm

### Specifications

Model	KWS5366BW3D / KWS5366BW5D / KWS5366BW6D	KWS5366BW2E / KWS5366BW3E / KWS5366BW5E
Weighing range	12 to 1200 g	
Scale interval	0.05 g	
Maximum speed <sup>1</sup>	220 products/min	
Maximum accuracy (3 $\sigma$ ) <sup>1</sup>	$\pm 0.2$ g	
Display	8.5-inch color TFT LCD	
Operation method	Touch panel (Start, Stop, and Home are direct push buttons)	
Indication range	1204.5 g	
Preset memory	Maximum 200	
Classification	2 or 3	
Product size <sup>2</sup>	Width W	20 to 230 mm
	Length L	68 to 320 mm
	Height H	<b>3D:</b> 5 to 75 mm <b>5D:</b> 5 to 115 mm <b>6D:</b> 5 to 175 mm <b>2E:</b> 5 to 45 mm <b>3E:</b> 5 to 75 mm <b>5E:</b> 5 to 115 mm
Belt speed	9 to 82 m/min	
Power requirements	100 to 120 Vac +10% -15% or 200 to 240 Vac +10% -15%, single phase, 50/60 Hz, 300 VA, rush current 30 A (typ.) (20 ms or less)	
Mass	<b>3D:</b> 107 kg <b>5D:</b> 109 kg <b>6D:</b> 110 kg <b>2E:</b> 120 kg <b>3E:</b> 120 kg <b>5E:</b> 122 kg	
Environmental conditions	0° to 40°C (variation not to exceed 5°C/h to maintain accuracy), relative humidity 30% to 85%, non-condensing	
Protection class	IP66 compliance	
Exterior	Stainless steel (SUS304)	
Data output	USB port (USB2.0), Ethernet interface (10BASE-T, 100BASE-TX)	

1: The speed and accuracy vary according to the products to be weighed and the rejector.

2: The size of products to be weighed depends on the rejector; select a checkweigher together with a rejector. Consult us about semi-transparent and transparent products.

Note: The noise level of the checkweighers does not exceed 70 dB (A).

# Waterproof

SSV-i series and duw/duw-h Metal Detector **SSV-i** **duw** **duw-h**

## KWS5472 type

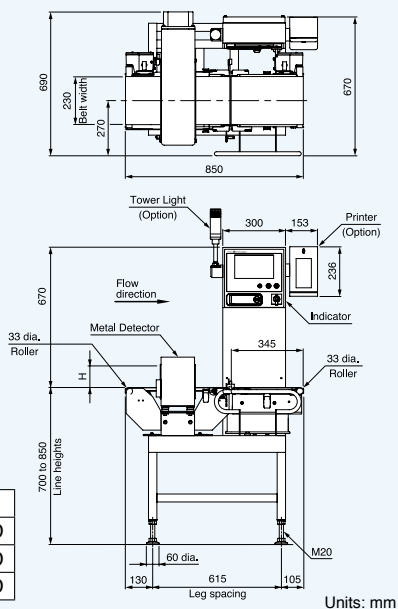
Weighing range : **30 to 3000 g [30 to 1200 g]**

Maximum accuracy (3 $\sigma$ ) :  **$\pm 0.5$  g**

Maximum speed : **160 [220]** products/min

### External Dimensions (with duw series)

KWS5472BW□D

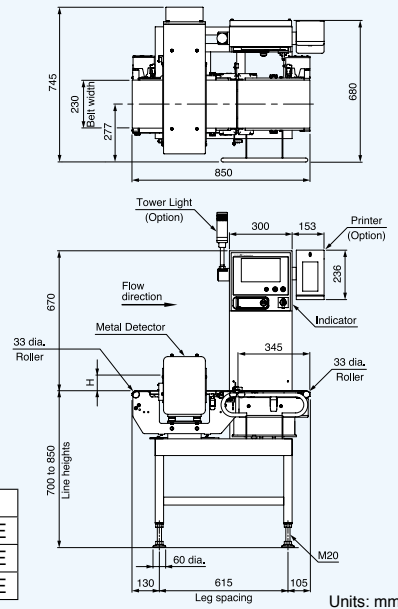


H	Model
75	KWS5472BW3D
115	KWS5472BW5D
175	KWS5472BW6D

Units: mm

### External Dimensions (with duw-h series)

KWS5472BW□E



H	Model
45	KWS5472BW2E
75	KWS5472BW3E
115	KWS5472BW5E

Units: mm

### Specifications

Model	KWS5472BW3D / KWS5472BW5D / KWS5472BW6D	KWS5472BW2E / KWS5472BW3E / KWS5472BW5E
Weighing range	30 to 3000 g [30 to 1200 g] <sup>3</sup>	
Scale interval	0.1 g [0.05 g] <sup>3</sup>	
Maximum speed <sup>1</sup>	160 [220] products/min <sup>3</sup>	
Maximum accuracy (3 $\sigma$ ) <sup>1</sup>	$\pm 0.5$ g	
Display	8.5-inch color TFT LCD	
Operation method	Touch panel (Start, Stop, and Home are direct push buttons)	
Indication range	3009 g [1204.5 g] <sup>3</sup>	
Preset memory	Maximum 200	
Classification	2 or 3	
Product size <sup>2</sup>	Width W	20 to 230 mm
	Length L	76 to 320 mm
	Height H	<b>3D:</b> 5 to 75 mm <b>5D:</b> 5 to 115 mm <b>6D:</b> 5 to 175 mm <b>2E:</b> 5 to 45 mm <b>3E:</b> 5 to 75 mm <b>5E:</b> 5 to 115 mm
Belt speed	7 to 60 [9 to 82] m/min <sup>3</sup>	
Power requirements	100 to 120 Vac +10% -15% or 200 to 240 Vac +10% -15%, single phase, 50/60 Hz, 300 VA, rush current 30 A (typ.) (20 ms or less)	
Mass	<b>3D:</b> 107 kg <b>5D:</b> 109 kg <b>6D:</b> 110 kg <b>2E:</b> 121 kg <b>3E:</b> 121 kg <b>5E:</b> 123 kg	
Environmental conditions	0° to 40°C (variation not to exceed 5°C/h to maintain accuracy), relative humidity 30% to 85%, non-condensing	
Protection class	IP66 compliance	
Exterior	Stainless steel (SUS304)	
Data output	USB port (USB2.0), Ethernet interface (10BASE-T, 100BASE-TX)	

1: The speed and accuracy vary according to the products to be weighed and the rejector.

2: The size of products to be weighed depends on the rejector; select a checkweigher together with a rejector. Consult us about semi-transparent and transparent products.

3: [ ] are optional. The maximum weighing range varies according to the operating environment.

Note: The noise level of the checkweighers does not exceed 70 dB (A).

# Waterproof

SSV-i series and duw/duw-h Metal Detector **SSV-i** **duw** **duw-h**

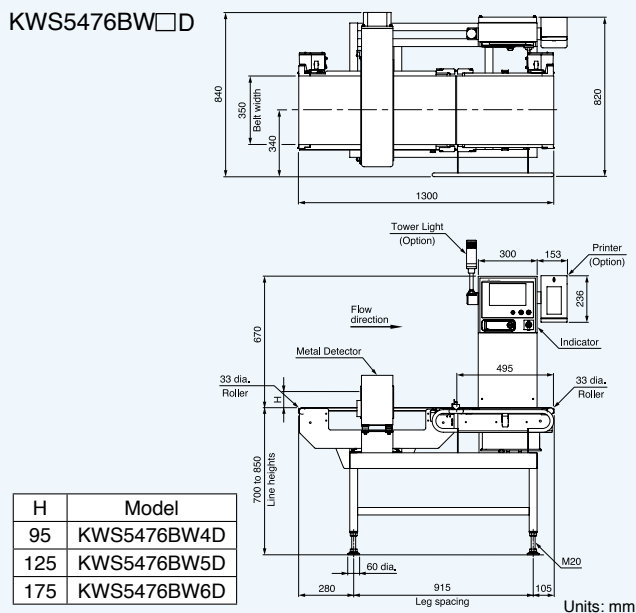
## KWS5476 type

Weighing range : **30 to 3000 g [30 to 1200 g]**

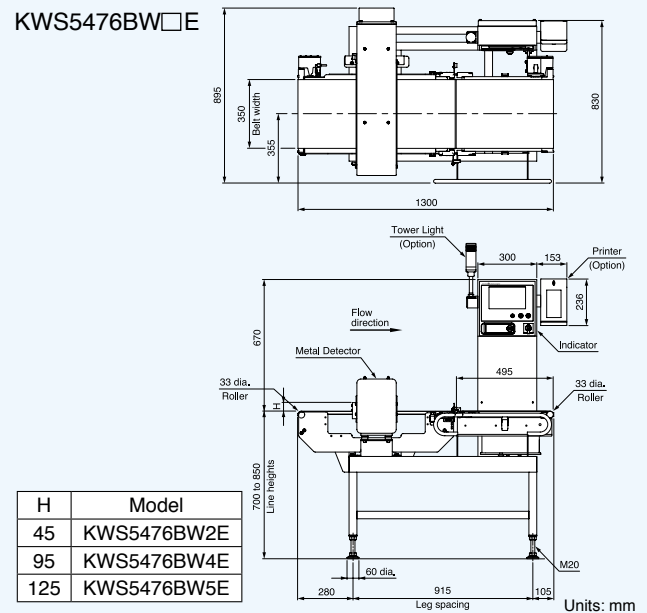
Maximum accuracy (3 $\sigma$ ) :  **$\pm 0.5$  g**

Maximum speed : **120 [155]** products/min

### External Dimensions (with duw series)



### External Dimensions (with duw-h series)



### Specifications

Model	KWS5476BW4D / KWS5476BW5D / KWS5476BW6D	KWS5476BW2E / KWS5476BW4E / KWS5476BW5E
Weighing range	30 to 3000 g [30 to 1200 g] <sup>3</sup>	
Scale interval	0.1 g [0.05 g] <sup>3</sup>	
Maximum speed <sup>1</sup>	120 [155] products/min <sup>3</sup>	
Maximum accuracy (3 $\sigma$ ) <sup>1</sup>	$\pm 0.5$ g	
Display	8.5-inch color TFT LCD	
Operation method	Touch panel (Start, Stop, and Home are direct push buttons)	
Indication range	3009 g [1204.5 g] <sup>3</sup>	
Preset memory	Maximum 200	
Classification	2 or 3	
Product size <sup>2</sup>	Width W	20 to 350 mm
	Length L	76 to 450 mm
	Height H	4D: 5 to 95 mm 5D: 5 to 125 mm 6D: 5 to 175 mm      2E: 5 to 45 mm 4E: 5 to 95 mm 5E: 5 to 125 mm
Belt speed	7 to 65 [9 to 83] m/min <sup>3</sup>	
Power requirements	100 to 120 Vac +10% -15% or 200 to 240 Vac +10% -15%, single phase, 50/60 Hz, 300 VA, rush current 30 A (typ.) (20 ms or less)	
Mass	4D: 135 kg 5D: 137 kg 6D: 139 kg      2E: 153 kg 4E: 155 kg 5E: 159 kg	
Environmental conditions	0° to 40°C (variation not to exceed 5°C/h to maintain accuracy), relative humidity 30% to 85%, non-condensing	
Protection class	IP66 compliance	
Exterior	Stainless steel (SUS304)	
Data output	USB port (USB2.0), Ethernet interface (10BASE-T, 100BASE-TX)	

1: The speed and accuracy vary according to the products to be weighed and the rejector.

2: The size of products to be weighed depends on the rejector; select a checkweigher together with a rejector. Consult us about semi-transparent and transparent products.

3: [ ] are optional. The maximum weighing range varies according to the operating environment.

Note: The noise level of the checkweighers does not exceed 70 dB (A).

# Waterproof

SSV-i series and duw/duw-h Metal Detector **SSV-i** **duw** **duw-h**

## KWS5577 type

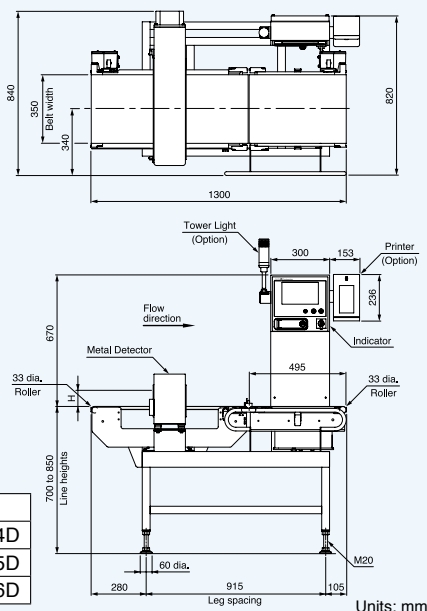
Weighing range : **60 to 6000 g**

Maximum accuracy (3 $\sigma$ ) :  **$\pm 1.5$  g**

Maximum speed : **70** products/min

### External Dimensions (with duw series)

KWS5577BW□D

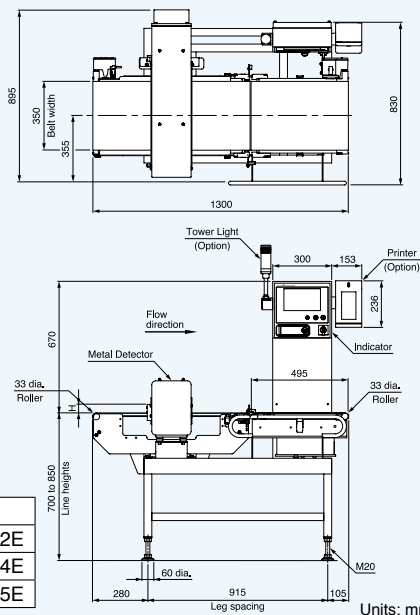


H	Model
95	KWS5577BW4D
125	KWS5577BW5D
175	KWS5577BW6D

Units: mm

### External Dimensions (with duw-h series)

KWS5577BW□E



H	Model
45	KWS5577BW2E
95	KWS5577BW4E
125	KWS5577BW5E

Units: mm

### Specifications

Model	KWS5577BW4D / KWS5577BW5D / KWS5577BW6D	KWS5577BW2E / KWS5577BW4E / KWS5577BW5E
Weighing range	60 to 6000 g	
Scale interval	0.5 g	
Maximum speed <sup>1</sup>	70 products/min	
Maximum accuracy (3 $\sigma$ ) <sup>1</sup>	$\pm 1.5$ g	
Display	8.5-inch color TFT LCD	
Operation method	Touch panel (Start, Stop, and Home are direct push buttons)	
Indication range	6018 g	
Preset memory	Maximum 200	
Classification	2 or 3	
Product size <sup>2</sup>	Width W	20 to 350 mm
	Length L	76 to 450 mm
	Height H	4D: 5 to 95 mm 5D: 5 to 125 mm 6D: 5 to 175 mm      2E: 5 to 45 mm 4E: 5 to 95 mm 5E: 5 to 125 mm
Belt speed	5 to 38 m/min	
Power requirements	100 to 120 Vac +10% -15% or 200 to 240 Vac +10% -15%, single phase, 50/60 Hz, 300 VA, rush current 30 A (typ.) (20 ms or less)	
Mass	4D: 135 kg 5D: 137 kg 6D: 139 kg      2E: 153 kg 4E: 155 kg 5E: 159 kg	
Environmental conditions	0° to 40°C (variation not to exceed 5°C/h to maintain accuracy), relative humidity 30% to 85%, non-condensing	
Protection class	IP66 compliance	
Exterior	Stainless steel (SUS304)	
Data output	USB port (USB2.0), Ethernet interface (10BASE-T, 100BASE-TX)	

<sup>1</sup>: The speed and accuracy vary according to the products to be weighed and the rejector.

<sup>2</sup>: The size of products to be weighed depends on the rejector; select a checkweigher together with a rejector. Consult us about semi-transparent and transparent products.

Note: The noise level of the checkweighers does not exceed 70 dB (A).

# Versatile

SSV-f series and duw/duw-h Metal Detector **SSV-f** **duw** **duw-h**

## KWS5203 type

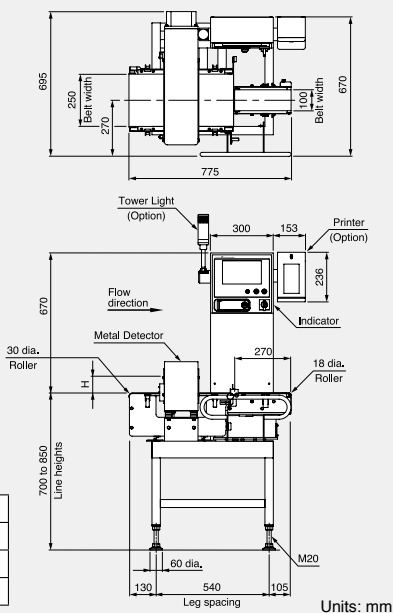
Weighing range : **6 to 600 g**

Maximum accuracy (3 $\sigma$ ) : **± 0.2 g**

Maximum speed : **350** products/min

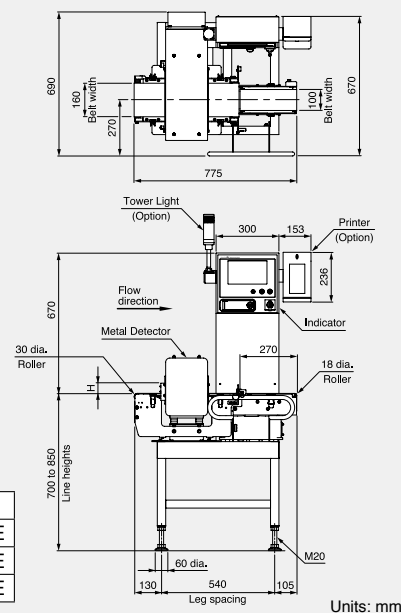
### External Dimensions (with duw series)

KWS5203BF□D  
KWS5203BP□D



### External Dimensions (with duw-h series)

KWS5203BF□E  
KWS5203BP□E



### Specifications

Model	KWS5203BF3D / KWS5203BF5D / KWS5203BF6D KWS5203BP3D / KWS5203BP5D / KWS5203BP6D	KWS5203BF2E / KWS5203BF3E / KWS5203BF4E KWS5203BP2E / KWS5203BP3E / KWS5203BP4E
Weighing range	6 to 600 g	
Scale interval	0.05 g	
Maximum speed <sup>1</sup>	350 products/min	
Maximum accuracy (3 $\sigma$ ) <sup>1</sup>	±0.2 g	
Display	8.5-inch color TFT LCD	
Operation method	Touch panel (Start, Stop, and Home are direct push buttons)	
Indication range	604.5 g	
Preset memory	Maximum 200	
Classification	2 or 3	
Product size <sup>2</sup>	Width W	20 to 100 mm
	Length L	58 to 230 mm
	Height H	<b>3D:</b> 5 to 80 mm <b>5D:</b> 5 to 120 mm <b>6D:</b> 5 to 180 mm <b>2E:</b> 5 to 50 mm <b>3E:</b> 5 to 80 mm <b>4E:</b> 5 to 100 mm
Belt speed	15 to 103 m/min	
Power requirements	100 to 120 Vac +10% -15% or 200 to 240 Vac +10% -15%, single phase, 50/60 Hz, 200 VA, rush current 30 A (typ.) (20 ms or less)	
Mass	<b>3D:</b> 98 kg <b>5D:</b> 100 kg <b>6D:</b> 101 kg <b>2E:</b> 108 kg <b>3E:</b> 108 kg <b>4E:</b> 109 kg	
Environmental conditions	0° to 40°C (variation not to exceed 5°C/h to maintain accuracy), relative humidity 30% to 85%, non-condensing	
Protection class	IP30 compliance	
Exterior	F type: painted, P type: stainless steel (SUS304) (excluding some parts)	
Data output	USB port (USB2.0), Ethernet interface (10BASE-T, 100BASE-TX)	

1: The speed and accuracy vary according to the products to be weighed and the rejector.

2: The size of products to be weighed depends on the rejector; select a checkweigher together with a rejector. Consult us about semi-transparent and transparent products.

Note: The noise level of the checkweighers does not exceed 70 dB (A).

# Versatile

SSV-f series and duw/duw-h Metal Detector **SSV-f** **duw** **duw-h**

## KWS5205 type

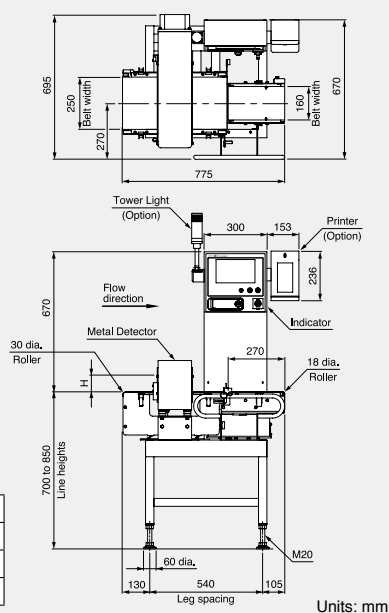
Weighing range : 6 to 600 g

Maximum accuracy (3 $\sigma$ ) :  $\pm 0.2$  g

Maximum speed : 350 products/min

### External Dimensions (with duw series)

KWS5205BF□D  
KWS5205BP□D

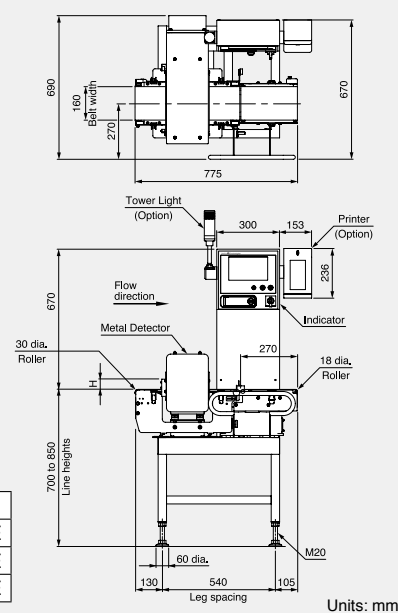


H	Model
80	KWS5205B△3D
120	KWS5205B△5D
180	KWS5205B△6D

Units: mm

### External Dimensions (with duw-h series)

KWS5205BF□E  
KWS5205BP□E



H	Model
50	KWS5205B△2E
80	KWS5205B△3E
100	KWS5205B△4E

Units: mm

### Specifications

Model	KWS5205BF3D / KWS5205BF5D / KWS5205BF6D KWS5205BP3D / KWS5205BP5D / KWS5205BP6D	KWS5205BF2E / KWS5205BF3E / KWS5205BF4E KWS5205BP2E / KWS5205BP3E / KWS5205BP4E
Weighing range	6 to 600 g	
Scale interval	0.05 g	
Maximum speed <sup>1</sup>	350 products/min	
Maximum accuracy (3 $\sigma$ ) <sup>1</sup>	$\pm 0.2$ g	
Display	8.5-inch color TFT LCD	
Operation method	Touch panel (Start, Stop, and Home are direct push buttons)	
Indication range	604.5 g	
Preset memory	Maximum 200	
Classification	2 or 3	
Product size <sup>2</sup>	Width W	20 to 160 mm
	Length L	58 to 230 mm
	Height H	<b>3D</b> : 5 to 80 mm <b>5D</b> : 5 to 120 mm <b>6D</b> : 5 to 180 mm <b>2E</b> : 5 to 50 mm <b>3E</b> : 5 to 80 mm <b>4E</b> : 5 to 100 mm
Belt speed	15 to 103 m/min	
Power requirements	100 to 120 Vac +10% -15% or 200 to 240 Vac +10% -15%, single phase, 50/60 Hz, 200 VA, rush current 30 A (typ.) (20 ms or less)	
Mass	<b>3D</b> : 98 kg <b>5D</b> : 100 kg <b>6D</b> : 101 kg <b>2E</b> : 108 kg <b>3E</b> : 108 kg <b>4E</b> : 109 kg	
Environmental conditions	0° to 40°C (variation not to exceed 5°C/h to maintain accuracy), relative humidity 30% to 85%, non-condensing	
Protection class	IP30 compliance	
Exterior	F type: painted, P type: stainless steel (SUS304) (excluding some parts)	
Data output	USB port (USB2.0), Ethernet interface (10BASE-T, 100BASE-TX)	

1: The speed and accuracy vary according to the products to be weighed and the rejector.

2: The size of products to be weighed depends on the rejector; select a checkweigher together with a rejector. Consult us about semi-transparent and transparent products.

Note: The noise level of the checkweighers does not exceed 70 dB (A).



# Versatile

## SSV-f series and duw/duw-h Metal Detector SSV-f duw duw-h

### KWS5206 type

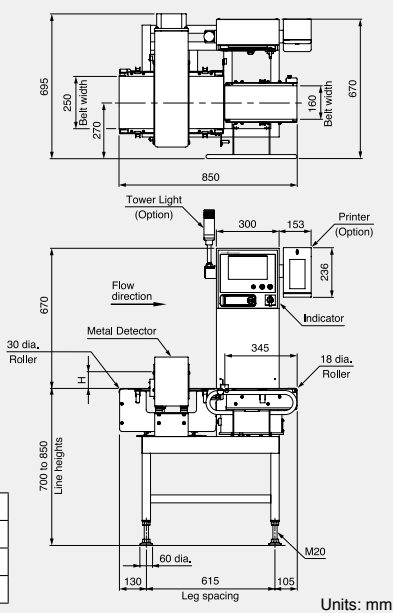
Weighing range : 6 to 600 g

Maximum accuracy (3 $\sigma$ ) :  $\pm 0.2$  g

Maximum speed : 320 products/min

#### External Dimensions (with duw series)

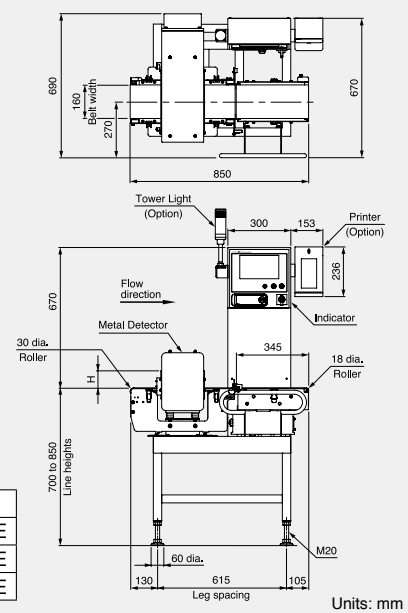
KWS5206BF□D  
KWS5206BP□D



H	Model
80	KWS5206B△3D
120	KWS5206B△5D
180	KWS5206B△6D

#### External Dimensions (with duw-h series)

KWS5206BF□E  
KWS5206BP□E



H	Model
50	KWS5206B△2E
80	KWS5206B△3E
100	KWS5206B△4E

#### Specifications

Model	KWS5206BF3D / KWS5206BF5D / KWS5206BF6D KWS5206BP3D / KWS5206BP5D / KWS5206BP6D	KWS5206BF2E / KWS5206BF3E / KWS5206BF4E KWS5206BP2E / KWS5206BP3E / KWS5206BP4E
Weighing range	6 to 600 g	
Scale interval	0.05 g	
Maximum speed <sup>1</sup>	320 products/min	
Maximum accuracy (3 $\sigma$ ) <sup>1</sup>	$\pm 0.2$ g	
Display	8.5-inch color TFT LCD	
Operation method	Touch panel (Start, Stop, and Home are direct push buttons)	
Indication range	604.5 g	
Preset memory	Maximum 200	
Classification	2 or 3	
Product size <sup>2</sup>	Width W	20 to 160 mm
	Length L	58 to 310 mm
	Height H	<b>3D:</b> 5 to 80 mm <b>5D:</b> 5 to 120 mm <b>6D:</b> 5 to 180 mm <b>2E:</b> 5 to 50 mm <b>3E:</b> 5 to 80 mm <b>4E:</b> 5 to 100 mm
Belt speed	15 to 120 m/min	
Power requirements	100 to 120 Vac +10% -15% or 200 to 240 Vac +10% -15%, single phase, 50/60 Hz, 200 VA, rush current 30 A (typ.) (20 ms or less)	
Mass	<b>3D:</b> 98 kg <b>5D:</b> 100 kg <b>6D:</b> 101 kg <b>2E:</b> 108 kg <b>3E:</b> 108 kg <b>4E:</b> 109 kg	
Environmental conditions	0° to 40°C (variation not to exceed 5°C/h to maintain accuracy), relative humidity 30% to 85%, non-condensing	
Protection class	IP30 compliance	
Exterior	F type: painted, P type: stainless steel (SUS304) (excluding some parts)	
Data output	USB port (USB2.0), Ethernet interface (10BASE-T, 100BASE-TX)	

1: The speed and accuracy vary according to the products to be weighed and the rejector.

2: The size of products to be weighed depends on the rejector; select a checkweigher together with a rejector. Consult us about semi-transparent and transparent products.

Note: The noise level of the checkweighers does not exceed 70 dB (A).

# Versatile

SSV-f series and duw/duw-h Metal Detector **SSV-f** **duw** **duw-h**

## KWS5411 type

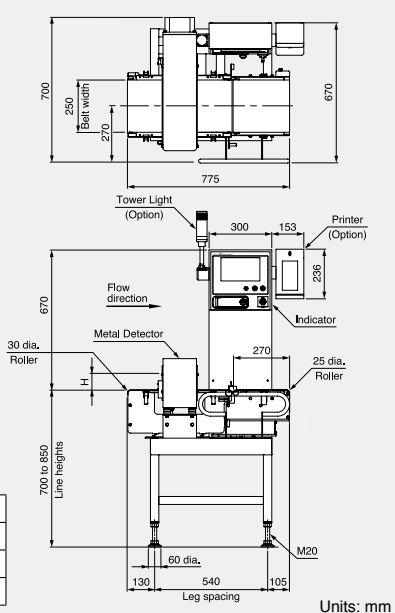
Weighing range : **12 to 3000 g**

Maximum accuracy (3 $\sigma$ ) : **± 0.2 g**

Maximum speed : **320** products/min

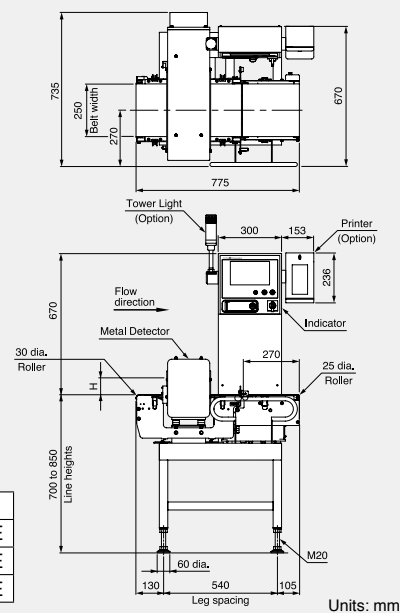
### External Dimensions (with duw series)

KWS5411BF□D  
KWS5411BP□D



### External Dimensions (with duw-h series)

KWS5411BF□E  
KWS5411BP□E



### Specifications

Model	KWS5411BF3D / KWS5411BF5D / KWS5411BF6D KWS5411BP3D / KWS5411BP5D / KWS5411BP6D	KWS5411BF2E / KWS5411BF3E / KWS5411BF5E KWS5411BP2E / KWS5411BP3E / KWS5411BP5E
Weighing range	12 to 3000 g	
Scale interval	0.1 g	
Maximum speed <sup>1</sup>	320 products/min	
Maximum accuracy (3 $\sigma$ ) <sup>1</sup>	±0.2 g	
Display	8.5-inch color TFT LCD	
Operation method	Touch panel (Start, Stop, and Home are direct push buttons)	
Indication range	3009 g	
Preset memory	Maximum 200	
Classification	2 or 3	
Product size <sup>2</sup>	Width W	20 to 250 mm
	Length L	65 to 230 mm
	Height H	<b>3D:</b> 5 to 80 mm <b>5D:</b> 5 to 120 mm <b>6D:</b> 5 to 180 mm <b>2E:</b> 5 to 50 mm <b>3E:</b> 5 to 80 mm <b>5E:</b> 5 to 120 mm
Belt speed	15 to 94 m/min	
Power requirements	100 to 120 Vac +10% -15% or 200 to 240 Vac +10% -15%, single phase, 50/60 Hz, 300 VA, rush current 30 A (typ.) (20 ms or less)	
Mass	<b>3D:</b> 100 kg <b>5D:</b> 102 kg <b>6D:</b> 103 kg <b>2E:</b> 114 kg <b>3E:</b> 114 kg <b>5E:</b> 116 kg	
Environmental conditions	0° to 40°C (variation not to exceed 5°C/h to maintain accuracy), relative humidity 30% to 85%, non-condensing	
Protection class	IP30 compliance	
Exterior	F type: painted, P type: stainless steel (SUS304) (excluding some parts)	
Data output	USB port (USB2.0), Ethernet interface (10BASE-T, 100BASE-TX)	

1: The speed and accuracy vary according to the products to be weighed and the rejector.

2: The size of products to be weighed depends on the rejector; select a checkweigher together with a rejector. Consult us about semi-transparent and transparent products.

Note: The noise level of the checkweighers does not exceed 70 dB (A).

# Versatile

## SSV-f series and duw/duw-h Metal Detector SSV-f duw duw-h

### KWS5412 type

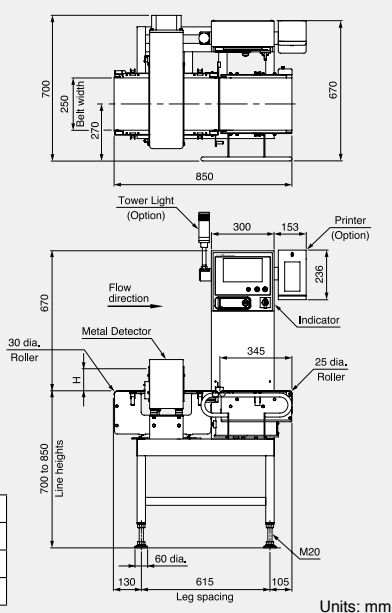
Weighing range : 12 to 3000 g

Maximum accuracy (3 $\sigma$ ) :  $\pm 0.2$  g

Maximum speed : 320 products/min

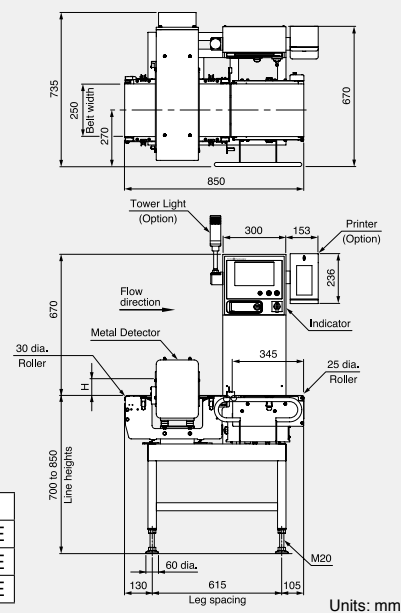
#### External Dimensions (with duw series)

KWS5412BF□D  
KWS5412BP□D



#### External Dimensions (with duw-h series)

KWS5412BF□E  
KWS5412BP□E



#### Specifications

Model	KWS5412BF3D / KWS5412BF5D / KWS5412BF6D KWS5412BP3D / KWS5412BP5D / KWS5412BP6D	KWS5412BF2E / KWS5412BF3E / KWS5412BF5E KWS5412BP2E / KWS5412BP3E / KWS5412BP5E
Weighing range	12 to 3000 g	
Scale interval	0.1 g	
Maximum speed <sup>1</sup>	320 products/min	
Maximum accuracy (3 $\sigma$ ) <sup>1</sup>	$\pm 0.2$ g	
Display	8.5-inch color TFT LCD	
Operation method	Touch panel (Start, Stop, and Home are direct push buttons)	
Indication range	3009 g	
Preset memory	Maximum 200	
Classification	2 or 3	
Product size <sup>2</sup>	Width W	20 to 250 mm
	Length L	65 to 310 mm
	Height H	<b>3D:</b> 5 to 80 mm <b>5D:</b> 5 to 120 mm <b>6D:</b> 5 to 180 mm <b>2E:</b> 5 to 50 mm <b>3E:</b> 5 to 80 mm <b>5E:</b> 5 to 120 mm
Belt speed	15 to 120 m/min	
Power requirements	100 to 120 Vac +10% -15% or 200 to 240 Vac +10% -15%, single phase, 50/60 Hz, 300 VA, rush current 30 A (typ.) (20 ms or less)	
Mass	<b>3D:</b> 101 kg <b>5D:</b> 103 kg <b>6D:</b> 104 kg <b>2E:</b> 115 kg <b>3E:</b> 115 kg <b>5E:</b> 116 kg	
Environmental conditions	0° to 40°C (variation not to exceed 5°C/h to maintain accuracy), relative humidity 30% to 85%, non-condensing	
Protection class	IP30 compliance	
Exterior	F type: painted, P type: stainless steel (SUS304) (excluding some parts)	
Data output	USB port (USB2.0), Ethernet interface (10BASE-T, 100BASE-TX)	

1: The speed and accuracy vary according to the products to be weighed and the rejector.

2: The size of products to be weighed depends on the rejector; select a checkweigher together with a rejector. Consult us about semi-transparent and transparent products.

Note: The noise level of the checkweighers does not exceed 70 dB (A).

# Versatile

SSV-f series and duw/duw-h Metal Detector **SSV-f** **duw** **duw-h**

## KWS5414 type

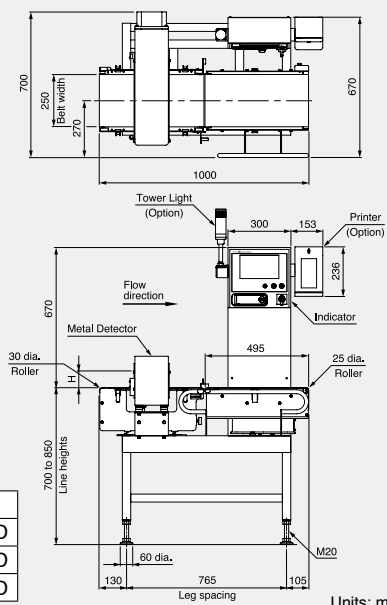
Weighing range : **12 to 3000 g**

Maximum accuracy (3 $\sigma$ ) :  **$\pm 0.2$  g**

Maximum speed : **220** products/min

### External Dimensions (with duw series)

KWS5414BF□D  
KWS5414BP□D

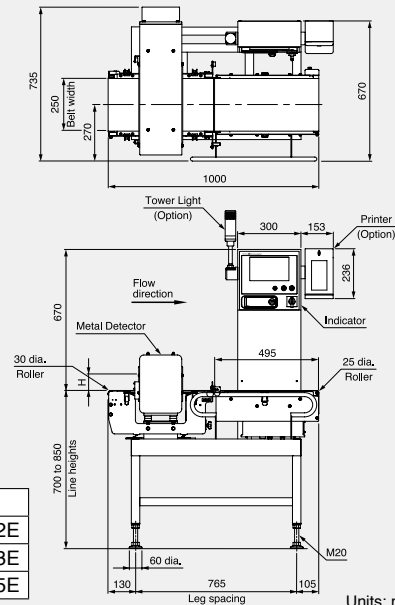


H	Model
80	KWS5414B△3D
120	KWS5414B△5D
180	KWS5414B△6D

Units: mm

### External Dimensions (with duw-h series)

KWS5414BF□E  
KWS5414BP□E



H	Model
50	KWS5414B△2E
80	KWS5414B△3E
120	KWS5414B△5E

Units: mm

### Specifications

Model	KWS5414BF3D / KWS5414BF5D / KWS5414BF6D KWS5414BP3D / KWS5414BP5D / KWS5414BP6D	KWS5414BF2E / KWS5414BF3E / KWS5414BF5E KWS5414BP2E / KWS5414BP3E / KWS5414BP5E
Weighing range	12 to 3000 g	
Scale interval	0.1 g	
Maximum speed <sup>1</sup>	220 products/min	
Maximum accuracy (3 $\sigma$ ) <sup>1</sup>	$\pm 0.2$ g	
Display	8.5-inch color TFT LCD	
Operation method	Touch panel (Start, Stop, and Home are direct push buttons)	
Indication range	3009 g	
Preset memory	Maximum 200	
Classification	2 or 3	
Product size <sup>2</sup>	Width W	20 to 250 mm
	Length L	65 to 450 mm
	Height H	<b>3D:</b> 5 to 80 mm <b>5D:</b> 5 to 120 mm <b>6D:</b> 5 to 180 mm <b>2E:</b> 5 to 50 mm <b>3E:</b> 5 to 80 mm <b>5E:</b> 5 to 120 mm
Belt speed	15 to 120 m/min	
Power requirements	100 to 120 Vac +10% -15% or 200 to 240 Vac +10% -15%, single phase, 50/60 Hz, 300 VA, rush current 30 A (typ.) (20 ms or less)	
Mass	<b>3D:</b> 102 kg <b>5D:</b> 104 kg <b>6D:</b> 105 kg <b>2E:</b> 116 kg <b>3E:</b> 116 kg <b>5E:</b> 118 kg	
Environmental conditions	0° to 40°C (variation not to exceed 5°C/h to maintain accuracy), relative humidity 30% to 85%, non-condensing	
Protection class	IP30 compliance	
Exterior	F type: painted, P type: stainless steel (SUS304) (excluding some parts)	
Data output	USB port (USB2.0), Ethernet interface (10BASE-T, 100BASE-TX)	

1: The speed and accuracy vary according to the products to be weighed and the rejector.

2: The size of products to be weighed depends on the rejector; select a checkweigher together with a rejector. Consult us about semi-transparent and transparent products.

Note: The noise level of the checkweighers does not exceed 70 dB (A).

# Versatile

SSV-f series and duw/duw-h Metal Detector **SSV-f** **duw** **duw-h**

## KWS5416 type

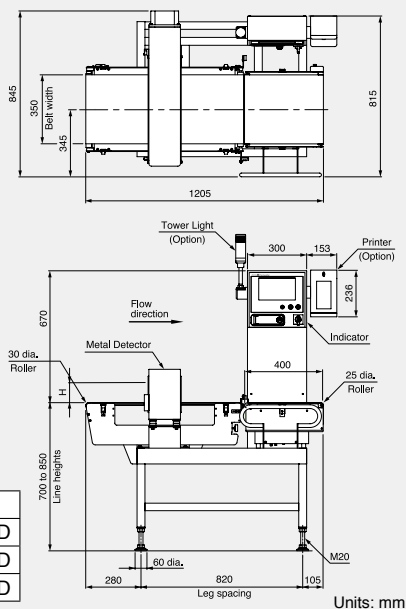
Weighing range : 12 to 3000 g

Maximum accuracy (3σ) : ± 0.5 g

Maximum speed : 210 products/min

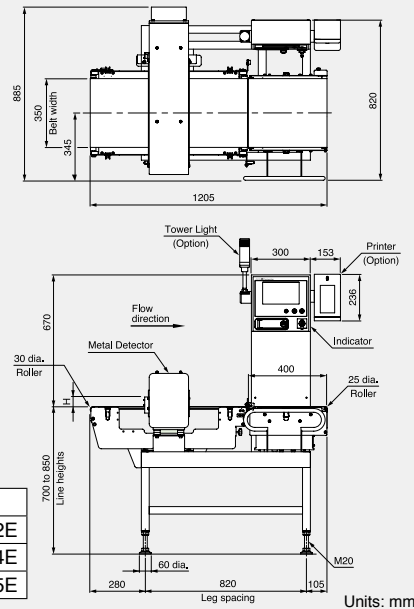
### External Dimensions (with duw series)

KWS5416BF□D  
KWS5416BP□D



### External Dimensions (with duw-h series)

KWS5416BF□E  
KWS5416BP□E



### Specifications

Model	KWS5416BF4D / KWS5416BF5D / KWS5416BF6D KWS5416BP4D / KWS5416BP5D / KWS5416BP6D	KWS5416BF2E / KWS5416BF4E / KWS5416BF5E KWS5416BP2E / KWS5416BP4E / KWS5416BP5E
Weighing range	12 to 3000 g	
Scale interval	0.1 g	
Maximum speed <sup>1</sup>	210 products/min	
Maximum accuracy (3σ) <sup>1</sup>	±0.5 g	
Display	8.5-inch color TFT LCD	
Operation method	Touch panel (Start, Stop, and Home are direct push buttons)	
Indication range	3009 g	
Preset memory	Maximum 200	
Classification	2 or 3	
Product size <sup>2</sup>	Width W	20 to 350 mm
	Length L	65 to 350 mm
	Height H	<b>4D:</b> 5 to 100 mm <b>5D:</b> 5 to 130 mm <b>6D:</b> 5 to 180 mm <b>2E:</b> 5 to 50 mm <b>4E:</b> 5 to 100 mm <b>5E:</b> 5 to 130 mm
Belt speed	15 to 91 m/min	
Power requirements	100 to 120 Vac +10% -15% or 200 to 240 Vac +10% -15%, single phase, 50/60 Hz, 300 VA, rush current 30 A (typ.) (20 ms or less)	
Mass	<b>4D:</b> 126 kg <b>5D:</b> 128 kg <b>6D:</b> 129 kg <b>2E:</b> 144 kg <b>4E:</b> 146 kg <b>5E:</b> 150 kg	
Environmental conditions	0° to 40°C (variation not to exceed 5°C/h to maintain accuracy), relative humidity 30% to 85%, non-condensing	
Protection class	IP30 compliance	
Exterior	F type: painted, P type: stainless steel (SUS304) (excluding some parts)	
Data output	USB port (USB2.0), Ethernet interface (10BASE-T, 100BASE-TX)	

1: The speed and accuracy vary according to the products to be weighed and the rejector.

2: The size of products to be weighed depends on the rejector; select a checkweigher together with a rejector. Consult us about semi-transparent and transparent products.

Note: The noise level of the checkweighers does not exceed 70 dB (A).

# Versatile

SSV-f series and duw/duw-h Metal Detector **SSV-f** **duw** **duw-h**

## KWS5417 type

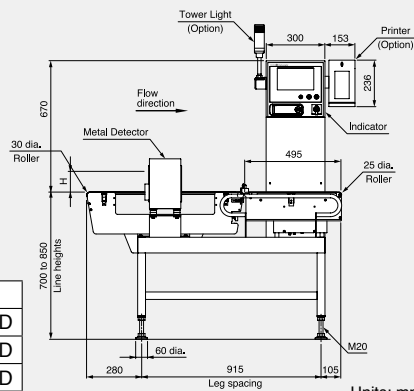
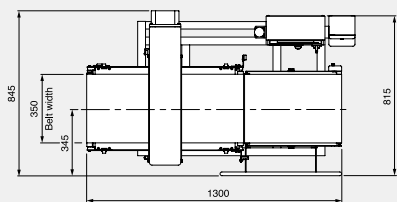
Weighing range : 12 to 3000 g

Maximum accuracy (3σ) : ± 0.5 g

Maximum speed : 170 products/min

### External Dimensions (with duw series)

KWS5417BF□D  
KWS5417BP□D

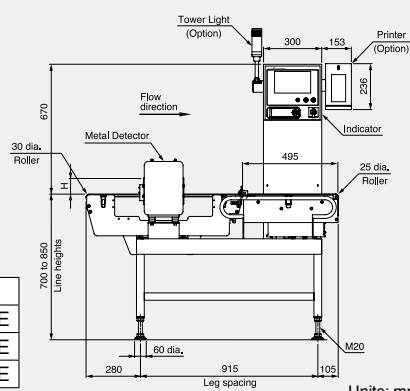
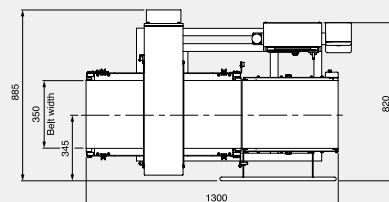


H	Model
100	KWS5417B△4D
130	KWS5417B△5D
180	KWS5417B△6D

Units: mm

### External Dimensions (with duw-h series)

KWS5417BF□E  
KWS5417BP□E



H	Model
50	KWS5417B△2E
100	KWS5417B△4E
130	KWS5417B△5E

Units: mm

### Specifications

Model	KWS5417BF4D / KWS5417BF5D / KWS5417BF6D KWS5417BP4D / KWS5417BP5D / KWS5417BP6D	KWS5417BF2E / KWS5417BF4E / KWS5417BF5E KWS5417BP2E / KWS5417BP4E / KWS5417BP5E
Weighing range	12 to 3000 g	
Scale interval	0.1 g	
Maximum speed <sup>1</sup>	170 products/min	
Maximum accuracy (3σ) <sup>1</sup>	±0.5 g	
Display	8.5-inch color TFT LCD	
Operation method	Touch panel (Start, Stop, and Home are direct push buttons)	
Indication range	3009 g	
Preset memory	Maximum 200	
Classification	2 or 3	
Product size <sup>2</sup>	Width W	20 to 350 mm
	Length L	65 to 450 mm
	Height H	<b>4D:</b> 5 to 100 mm <b>5D:</b> 5 to 130 mm <b>6D:</b> 5 to 180 mm <b>2E:</b> 5 to 50 mm <b>4E:</b> 5 to 100 mm <b>5E:</b> 5 to 130 mm
Belt speed	15 to 91 m/min	
Power requirements	100 to 120 Vac +10% -15% or 200 to 240 Vac +10% -15%, single phase, 50/60 Hz, 300 VA, rush current 30 A (typ.) (20 ms or less)	
Mass	<b>4D:</b> 130 kg <b>5D:</b> 132 kg <b>6D:</b> 133 kg <b>2E:</b> 148 kg <b>4E:</b> 150 kg <b>5E:</b> 154 kg	
Environmental conditions	0° to 40°C (variation not to exceed 5°C/h to maintain accuracy), relative humidity 30% to 85%, non-condensing	
Protection class	IP30 compliance	
Exterior	F type: painted, P type: stainless steel (SUS304) (excluding some parts)	
Data output	USB port (USB2.0), Ethernet interface (10BASE-T, 100BASE-TX)	

1: The speed and accuracy vary according to the products to be weighed and the rejector.

2: The size of products to be weighed depends on the rejector; select a checkweigher together with a rejector. Consult us about semi-transparent and transparent products.

Note: The noise level of the checkweighers does not exceed 70 dB (A).

# Versatile

## SSV-f series and duw/duw-h Metal Detector SSV-f duw duw-h

### KWS5522 type

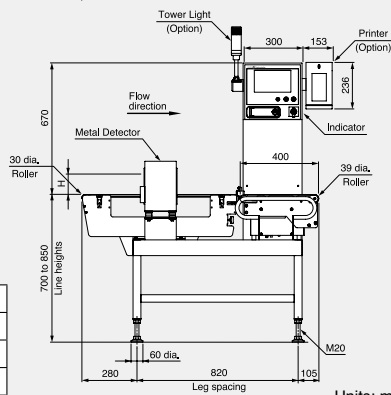
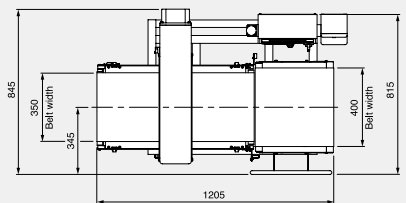
Weighing range : **60 to 6000 g**

Maximum accuracy (3 $\sigma$ ) : **± 1.5 g**

Maximum speed : **130** products/min

#### External Dimensions (with duw series)

KWS5522BF□D  
KWS5522BP□D

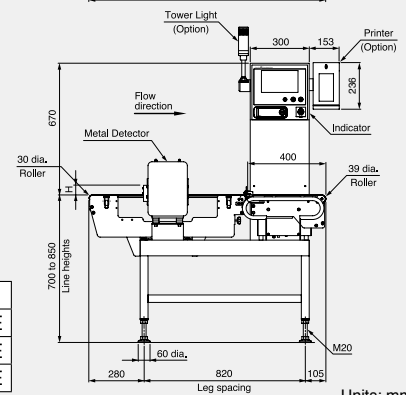
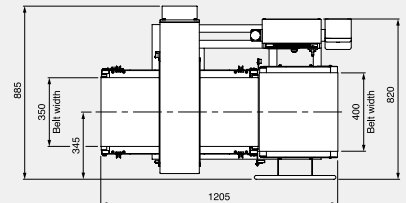


H	Model
100	KWS5522B△4D
130	KWS5522B△5D
180	KWS5522B△6D

Units: mm

#### External Dimensions (with duw-h series)

KWS5522BF□E  
KWS5522BP□E



H	Model
50	KWS5522B△2E
100	KWS5522B△4E
130	KWS5522B△5E

Units: mm

#### Specifications

Model	KWS5522BF4D / KWS5522BF5D / KWS5522BF6D KWS5522BP4D / KWS5522BP5D / KWS5522BP6D	KWS5522BF2E / KWS5522BF4E / KWS5522BF5E KWS5522BP2E / KWS5522BP4E / KWS5522BP5E
Weighing range	60 to 6000 g	
Scale interval	0.5 g	
Maximum speed <sup>1</sup>	130 products/min	
Maximum accuracy (3 $\sigma$ ) <sup>1</sup>	±1.5 g	
Display	8.5-inch color TFT LCD	
Operation method	Touch panel (Start, Stop, and Home are direct push buttons)	
Indication range	6018 g	
Preset memory	Maximum 200	
Classification	2 or 3	
Product size <sup>2</sup>	Width W	20 to 350 mm
	Length L	79 to 350 mm
	Height H	<b>4D:</b> 5 to 100 mm <b>5D:</b> 5 to 130 mm <b>6D:</b> 5 to 180 mm <b>2E:</b> 5 to 50 mm <b>4E:</b> 5 to 100 mm <b>5E:</b> 5 to 130 mm
Belt speed	5 to 56 m/min	
Power requirements	100 to 120 Vac +10% -15% or 200 to 240 Vac +10% -15%, single phase, 50/60 Hz, 300 VA, rush current 30 A (typ.) (20 ms or less)	
Mass	<b>4D:</b> 130 kg <b>5D:</b> 132 kg <b>6D:</b> 133 kg <b>2E:</b> 148 kg <b>4E:</b> 150 kg <b>5E:</b> 154 kg	
Environmental conditions	0° to 40°C (variation not to exceed 5°C/h to maintain accuracy), relative humidity 30% to 85%, non-condensing	
Protection class	IP30 compliance	
Exterior	F type: painted, P type: stainless steel (SUS304) (excluding some parts)	
Data output	USB port (USB2.0), Ethernet interface (10BASE-T, 100BASE-TX)	

1: The speed and accuracy vary according to the products to be weighed and the rejector.

2: The size of products to be weighed depends on the rejector; select a checkweigher together with a rejector. Consult us about semi-transparent and transparent products.

Note: The noise level of the checkweighers does not exceed 70 dB (A).

# Versatile

SSV-f series and duw/duw-h Metal Detector **SSV-f** **duw** **duw-h**

## KWS5524 type

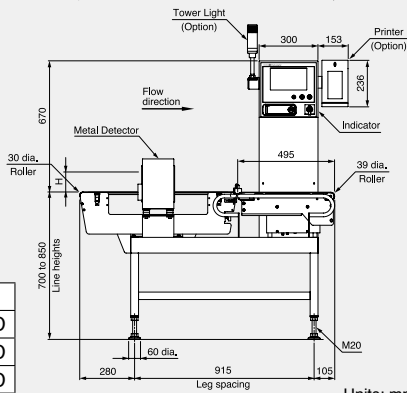
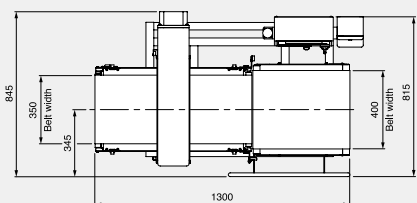
Weighing range : **60 to 6000 g**

Maximum accuracy (3σ) : **± 1.5 g**

Maximum speed : **110 products/min**

### External Dimensions (with duw series)

KWS5524BF□D  
KWS5524BP□D

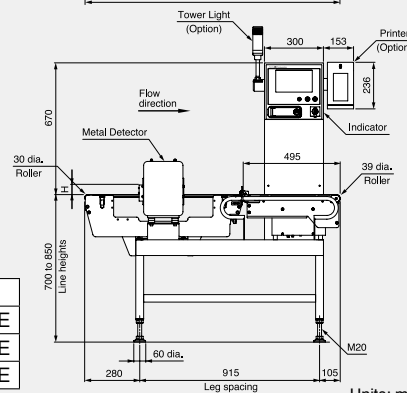
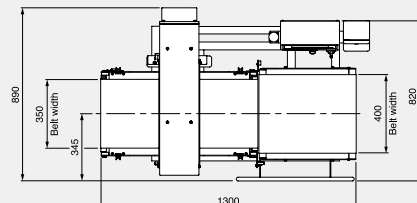


H	Model
100	KWS5524B△4D
130	KWS5524B△5D
180	KWS5524B△6D

Units: mm

### External Dimensions (with duw-h series)

KWS5524BF□E  
KWS5524BP□E



H	Model
50	KWS5524B△2E
100	KWS5524B△4E
130	KWS5524B△5E

Units: mm

### Specifications

Model	KWS5524BF4D / KWS5524BF5D / KWS5524BF6D KWS5524BP4D / KWS5524BP5D / KWS5524BP6D	KWS5524BF2E / KWS5524BF4E / KWS5524BF5E KWS5524BP2E / KWS5524BP4E / KWS5524BP5E
Weighing range	60 to 6000 g	
Scale interval	0.5 g	
Maximum speed <sup>1</sup>	110 products/min	
Maximum accuracy (3σ) <sup>1</sup>	±1.5 g	
Display	8.5-inch color TFT LCD	
Operation method	Touch panel (Start, Stop, and Home are direct push buttons)	
Indication range	6018 g	
Preset memory	Maximum 200	
Classification	2 or 3	
Product size <sup>2</sup>	Width W	20 to 350 mm
	Length L	79 to 450 mm
	Height H	<b>4D:</b> 5 to 100 mm <b>5D:</b> 5 to 130 mm <b>6D:</b> 5 to 180 mm <b>2E:</b> 5 to 50 mm <b>4E:</b> 5 to 100 mm <b>5E:</b> 5 to 130 mm
Belt speed	5 to 60 m/min	
Power requirements	100 to 120 Vac +10% -15% or 200 to 240 Vac +10% -15%, single phase, 50/60 Hz, 300 VA, rush current 30 A (typ.) (20 ms or less)	
Mass	<b>4D:</b> 134 kg <b>5D:</b> 136 kg <b>6D:</b> 137 kg <b>2E:</b> 152 kg <b>4E:</b> 154 kg <b>5E:</b> 158 kg	
Environmental conditions	0° to 40°C (variation not to exceed 5°C/h to maintain accuracy), relative humidity 30% to 85%, non-condensing	
Protection class	IP30 compliance	
Exterior	F type: painted, P type: stainless steel (SUS304) (excluding some parts)	
Data output	USB port (USB2.0), Ethernet interface (10BASE-T, 100BASE-TX)	

1: The speed and accuracy vary according to the products to be weighed and the rejector.

2: The size of products to be weighed depends on the rejector; select a checkweigher together with a rejector. Consult us about semi-transparent and transparent products.

Note: The noise level of the checkweighers does not exceed 70 dB (A).







**ANRITSU INFIVIS INC.** <http://www.detectionperfection.com>

1001 Cambridge Drive Elk Grove Village, IL 60007-2453  
Phone (847) 419-XRAY (9729) Fax (847) 537-8266

© ANRITSU INFIVIS CO., LTD. 2013  
ISO14001 CERTIFICATE No.JQA-EM0210  
ISO 9001 CERTIFICATE No.JQA-0566



- Some products shown in this catalog may not be available in your country or region. Contact our sales representatives for details.
- To ensure proper operation, read the Operation Manual before using the machine.
- In addition to daily inspection, an annual maintenance check should be carried out.

Specifications are subject to change without notice.  
No part of this catalog may be reproduced without our permission.