

# PENTAFILL A5 - A10 - A15

**FILLING & SEALING MACHINES FOR SINGLE-DOSE  
PLASTIC CONTAINERS IN 5-VIAL STRIPS**

---



---

Semi-automatic machine available in three models: A5 (4-5 cycles/minute), A10 (8-10 cycles/minute) or A15 (12-15 cycles/minute). Ideal for small/medium batches, start-up production and lab research.

- Automatic loading
- Suitable for pharmaceutical products, cosmetics and other products; liquids, gels, or creams
- Maximum flexibility and versatility, different plastic containers and capacities
- Wide range of accessories and optional features available
- Compact machine suitable for small rooms, very easy to use
- Quick changeover and easy maintenance

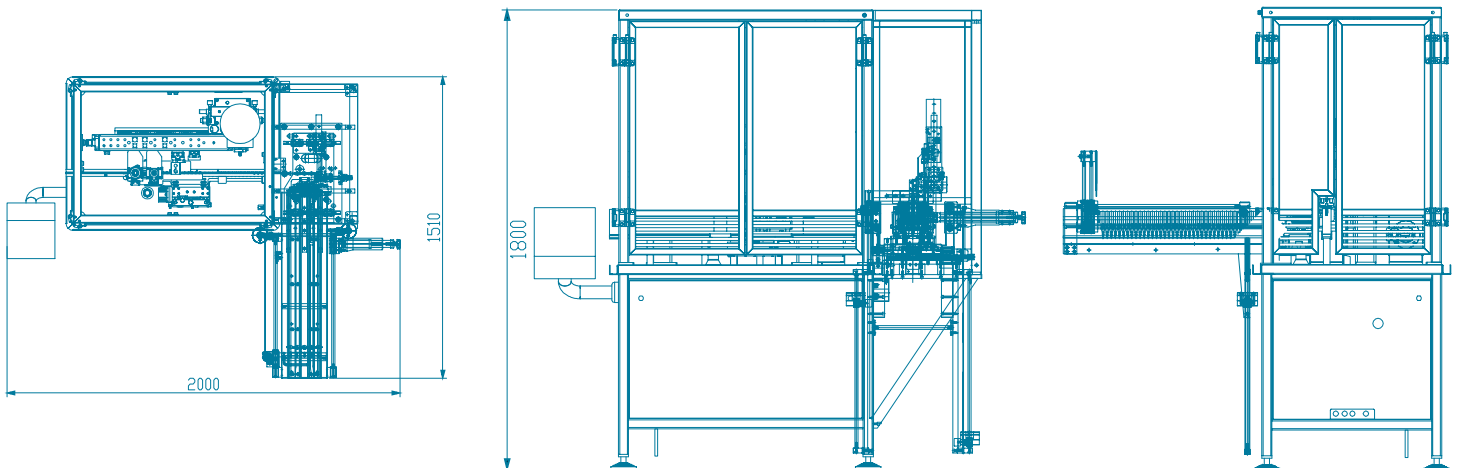


**PENTAFILL A5 - A10 - A15** supported formats: 0.33 - 0.5 - 0.6 - 1 - 2 - 3 - 5 - 10 (ml)

## TECHNICAL DATA PENTAFILL A5 – A10 – A15

	A5	A10	A15
Cycles / minute - From 0.33 to 1 ml - From 2 to 10 ml	up to 5 / for minute up to 4 / for minute	up to 10 / for minute up to 8 / for minute	up to 15 / for minute up to 12 / for minute
Measured volume max	Depending on the capacity of the container		
Voltage	220V - 50/60 Hz	220V - 50/60 Hz	220V - 50/60 Hz
Power consumption	total 3 Kw	total 3 Kw	total 3 Kw
Compressed air consumption	400 NL/min	500 NL/min	600 NL/min
Pressure required	> 6 bar	> 6 bar	> 6 bar
Water consumption 14/16° C for cooling	2-3 L/min	2-3 L/min	2-3 L/min
Minimum pressure input	2 bar at water 14/16° C	2 bar at water 14/16° C	2 bar at water 14/16° C
Block size AxBxH - Weight	2000x1510x1800 mm 520 Kg	2000x1510x1800 mm 540 Kg	2000x1510x1800 mm 560 Kg

Strip (ml)	L (mm)	H (mm)
0.33	86	43
0.5	87	46
0.6	96	47
1	106	57
2	111	73
3	95	69
5	137	81
10	176	105



### Commercial Office

Via Chiesa Sud, 156/F - 41016 Rovereto s/S - Novi di Modena (MO) - Italy

Phone: +39 059 673911 | Fax: +39 059 673280 | E-mail: lameplast@lameplast.it | Web: www.lameplastgroup.com

Dimensions may vary based on optional equipment. This machine is protected by more domestic AMD foreign patents.  
SPECIFICATIONS SUBJECT TO CHANGE WITHOUT NOTICE.