

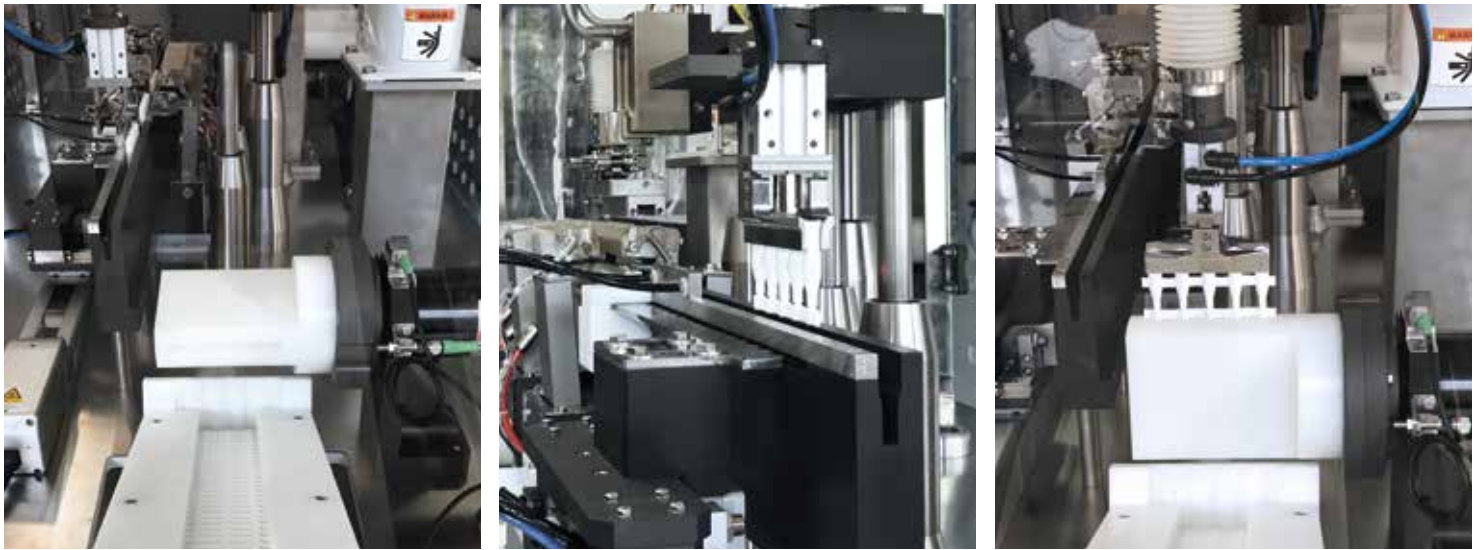
# PENTAFILL A25

**FILLING & SEALING MACHINES FOR SINGLE-DOSE  
PLASTIC CONTAINERS IN 5-VIAL STRIPS**



Automatic machine (25 cycles/minute) ideal for small/medium batches or start-up production.

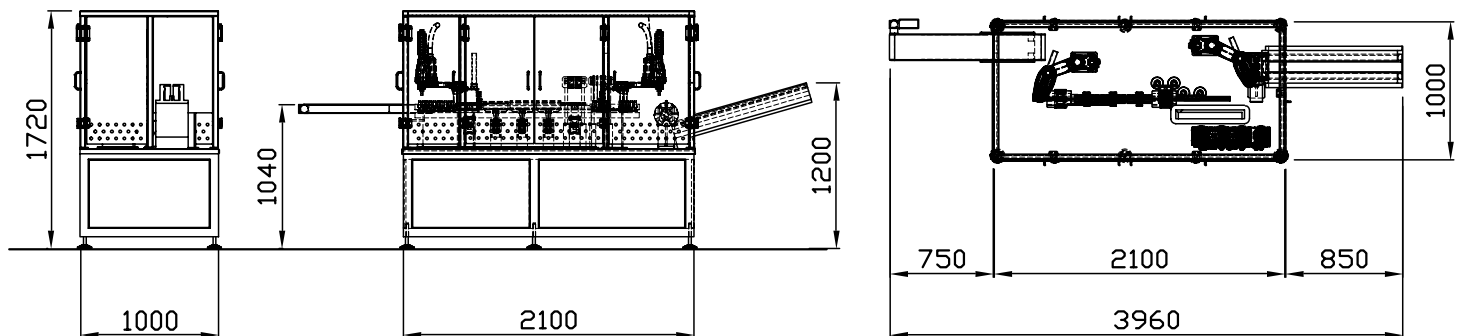
- Automatic loading
- Suitable for pharmaceutical products, cosmetics and other products; liquids, gels, or creams
- Maximum flexibility and versatility, different plastic containers and capacities
- Wide range of accessories and optional features available
- Compact machine suitable for small rooms, very easy to use
- Quick changeover and easy maintenance



**PENTAFILL A25** supported formats: 0.33 - 0.5 - 0.6 - 1 - 2 - 3 - 5 - 10 (ml)

## TECHNICAL DATA PENTAFILL A25

Cycles / minute - From 0.33 to 1 ml - From 2 to 10 ml	up to 25 / for minute up to 23 / for minute
Measured volume max	Depending on the capacity of the container
Voltage	220V/380V - 50/60 Hz
Power consumption	total 5 - 8 Kw
Compressed air consumption	600 NL/min
Pressure required	> 6 bar
Water consumption 14/16° C for cooling	2-3 L/min
Minimum pressure input	2 bar at water 14/16° C
Block size AxBxH - Weight	4000x1000x1800 mm - 1115 Kg



### Commercial Office

Via Chiesa Sud, 156/F - 41016 Rovereto s/S - Novi di Modena (MO) - Italy  
 Phone: +39 059 673911 | Fax: +39 059 673280 | E-mail: lameplast@lameplast.it | Web: www.lameplastgroup.com

Dimensions may vary based on optional equipment. This machine is protected by more domestic AMD foreign patents.  
 SPECIFICATIONS SUBJECT TO CHANGE WITHOUT NOTICE.