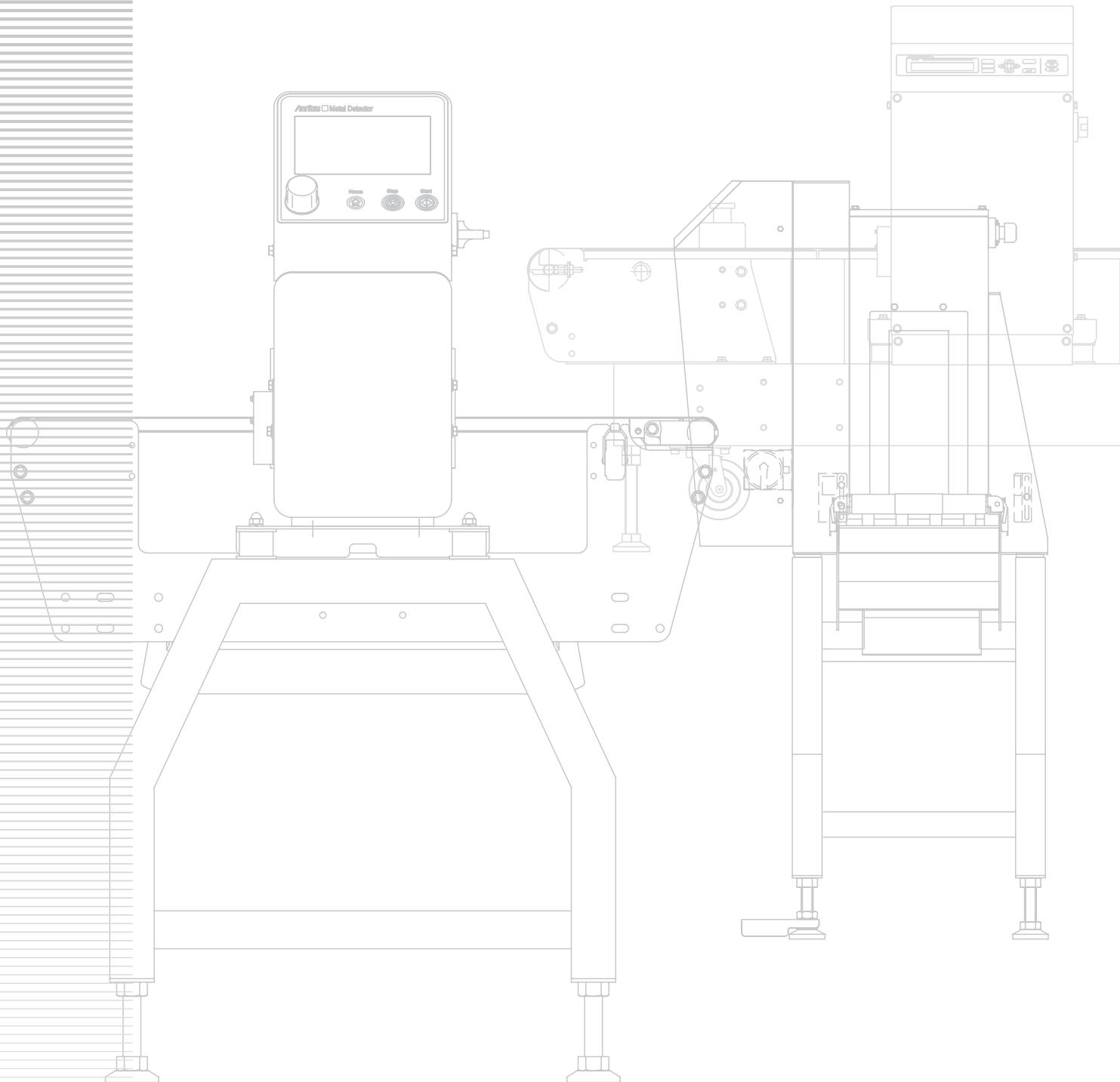


# Metal Detector

---



# Metal Detector

## Lineup



### High Sensitivity

#### duw-h Series

Enhancement to the standard duw include improved signal processing and head design for optimal sensitivity and system stability. Features include enhanced operability such as operation guidance and E-daily report.

Detection head	<input checked="" type="checkbox"/> duw-h	<input type="checkbox"/> duw
Protection	<input checked="" type="checkbox"/> IP66	<input checked="" type="checkbox"/> IP30
Operation	<input checked="" type="checkbox"/> Touch panel	<input type="checkbox"/> Flat panel key
Data output	<input checked="" type="checkbox"/> USB	<input checked="" type="checkbox"/> Ethernet

### Standard

#### duw Series

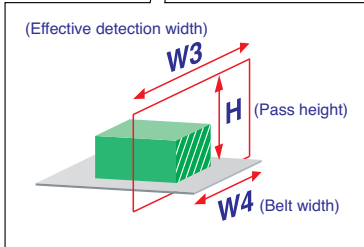
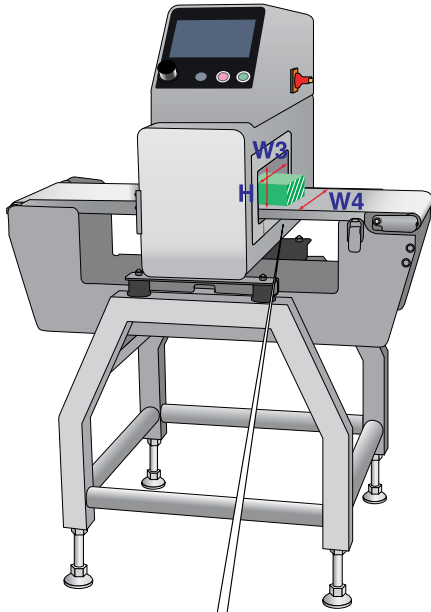
Simultaneous dual frequency metal detection – optimized for both Stainless Steel and Ferrous Metals at the same time. Provides extensive lineup ranging from for small bags to for large cartons to meet diverse application needs.

Detection head	<input type="checkbox"/> duw-h	<input checked="" type="checkbox"/> duw
Protection	<input checked="" type="checkbox"/> IP66	<input checked="" type="checkbox"/> IP30
Operation	<input type="checkbox"/> Touch panel	<input checked="" type="checkbox"/> Flat panel key
Data output	<input type="checkbox"/> USB	<input type="checkbox"/> Ethernet

#### For Aluminum Packaged Products

Suitable for aluminum-packaged products. The lineup includes models for thin products such as retort-pouched foods and for thicker products such as packed tea leaves and confectionery.

# Model Selection List



		Model	Detection area (mm)	Page	
Compact type	High Sensitivity	Waterproof	KDS8102BW H=45, W4=140		4
		Waterproof	KDS8103BW H=75, W4=140		
		Waterproof	KDS8104BW H=95, W4=140		
		Non-waterproof	KDS8102BF H=50, W4=160		
		Non-waterproof	KDS8103BF H=80, W4=160		
		Non-waterproof	KDS8104BF H=100, W4=160		
	High Sensitivity	Waterproof	KDS8112BW H=45, W4=230		5, 6
		Waterproof	KDS8113BW H=75, W4=230		
		Waterproof	KDS8115BW H=115, W4=230		
		Waterproof	KDS8116BW H=175, W4=230		
		Non-waterproof	KDS8112BF H=50, W4=250		
		Non-waterproof	KDS8113BF H=80, W4=250		
	Standard	Waterproof	KD8113AW H=75		9
		Waterproof	KD8115AW H=115		
		Waterproof	KD8116AW H=175		
		Non-waterproof	KD8113A H=80		
		Non-waterproof	KD8115A H=120		
		Non-waterproof	KD8116A H=180		
Wide type	High Sensitivity	Waterproof	KDS8122BW H=45		7, 8
		Waterproof	KDS8124BW H=95		
		Waterproof	KDS8125BW H=125		
		Waterproof	KDS8126BW H=175		
		Non-waterproof	KDS8122BF H=50		
		Non-waterproof	KDS8124BF H=100		
	Standard	Waterproof	KD8124AW H=95		10
		Waterproof	KD8125AW H=125		
		Waterproof	KD8126AW H=175		
		Non-waterproof	KD8124A H=100		
		Non-waterproof	KD8125A H=130		
		Non-waterproof	KD8126A H=180		
Vertical type	Standard	Waterproof	KD8113AWT W3=95, W4=80, H=275		11
		Waterproof	KD8115AWT W3=135, W4=120, H=275		
		Waterproof	KD8116AWT W3=195, W4=180, H=275		
		Non-waterproof	KD8113AT W3=95, W4=80, H=280		
		Non-waterproof	KD8115AT W3=135, W4=120, H=280		
		Non-waterproof	KD8116AT W3=195, W4=180, H=280		
	Standard	Waterproof	KD8124AWT W3=115, W4=100, H=425		12
		Waterproof	KD8125AWT W3=145, W4=130, H=425		
		Waterproof	KD8126AWT W3=195, W4=180, H=425		
		Non-waterproof	KD8124AT W3=115, W4=100, H=430		
		Non-waterproof	KD8125AT W3=145, W4=130, H=430		
		Non-waterproof	KD8126AT W3=195, W4=180, H=430		
Large type	Standard	Waterproof / Non-waterproof	KD8132A/KD8132AW H=100		13
		Waterproof / Non-waterproof	KD8133A/KD8133AW H=150		
		Waterproof / Non-waterproof	KD8134A/KD8134AW H=200		
		Waterproof / Non-waterproof	KD8135A/KD8135AW H=250		
		Waterproof / Non-waterproof	KD8136A/KD8136AW H=300		
		Waterproof / Non-waterproof	KD8137A/KD8137AW H=350		
		Waterproof / Non-waterproof	KD8138A/KD8138AW H=400		
Aluminum Packaged Products For Aluminum Packaged Products	Waterproof		KD8200AW W3, W4=230		14
			KD8220AW W3, W4=400		
	Non-waterproof		KD821AHW W3=250, W4=220		15
			KD821AH W3=250, W4=220		

W3: Effective detection width

W4: Belt width

1: The pass height must be one of 30, 40, 50, or 60 mm.

2: The pass height must be one of 30, 55, 80, 105, or 130 mm.

# High Sensitivity

Maximum pass width: 210 mm

## KDS8102BF / BW

Pass height: 50 mm (KDS8102BF)  
45 mm (KDS8102BW)

## KDS8103BF / BW

Pass height: 80 mm (KDS8103BF)  
75 mm (KDS8103BW)

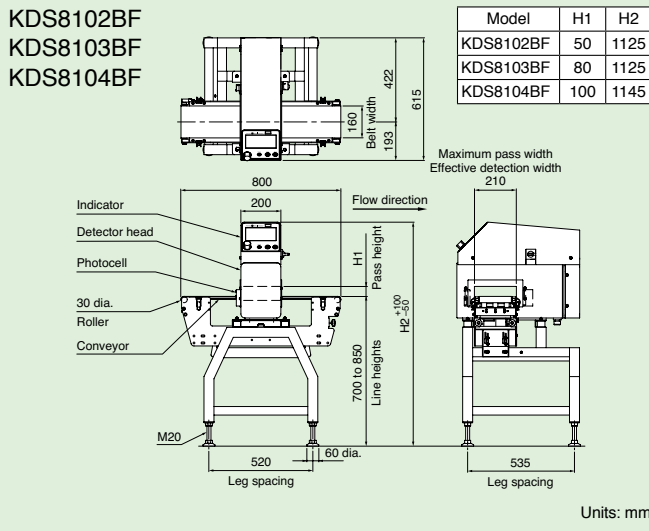
## KDS8104BF / BW

Pass height: 100 mm (KDS8104BF)  
95 mm (KDS8104BW)

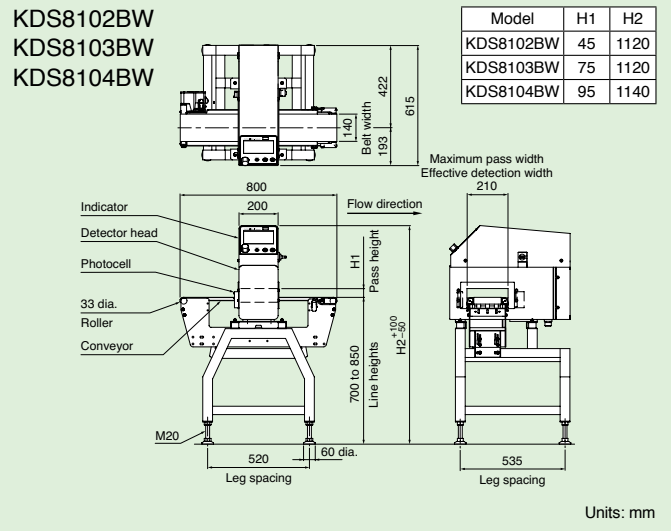


KDS8102BW

### External Dimensions Non-Waterproof



### External Dimensions Waterproof



### Specifications

Model	KDS8102BF	KDS8102BW	KDS8103BF	KDS8103BW	KDS8104BF	KDS8104BW
Pass height	50 mm	45 mm	80 mm	75 mm	100 mm	95 mm
Maximum pass width	210 mm					
Belt width	160 mm	140 mm	160 mm	140 mm	160 mm	140 mm
Display	7-inch color TFT LCD					
Operation method	Touch panel (Start, Stop, and Home are direct push buttons)					
Preset memory	Maximum 200					
Product packaging	Both general and aluminum-evaporated film packaged products					
Detection method	Simultaneous 2-frequency magnetization detection method					
Belt speed	10 to 90 m/min (variable speed depending on Product No.)					
Maximum product weight <sup>1</sup>	5 kg [BF (Non-waterproof) types can support up to 10 kg and BW (waterproof) types can support up to 15 kg as an option at the belt speed of 5 to 49 m/min.]					
Metal detection	Rejection signal output and beep, or belt stop and beep					
Power requirements	100 to 120 Vac +10% -15% or 200 to 240 Vac +10% -15%, single phase, 50/60 Hz, 200 VA, rush current 62 A (typ.) (20 ms or less)					
Mass	90 kg	92 kg	90 kg	92 kg	92 kg	94 kg
Environmental conditions	0° to 40°C, relative humidity 30% to 85%, non-condensing					
Protection class	IP30 compliance	IP66 compliance	IP30 compliance	IP66 compliance	IP30 compliance	IP66 compliance
Exterior	BF (Non-waterproof) type: painted (Indicator and detector head: stainless steel (SUS304)) BW (Waterproof) type: stainless steel (SUS304)					
Data output	USB port (USB2.0), Ethernet interface (10BASE-T, 100BASE-TX)					

<sup>1</sup>: Sum total of product weight on the conveyor.  
Note: The shape and size (length, width and height) of products to can be inspected depend on the rejector type.  
Note: The noise level of the metal detectors does not exceed 70 dB (A).

duw-h series

duw series

For Aluminum Packaged Products

# High Sensitivity

Maximum pass width: 300 mm

## KDS8112BF / BW

Pass height: 50 mm (KDS8112BF)  
45 mm (KDS8112BW)

## KDS8113BF / BW

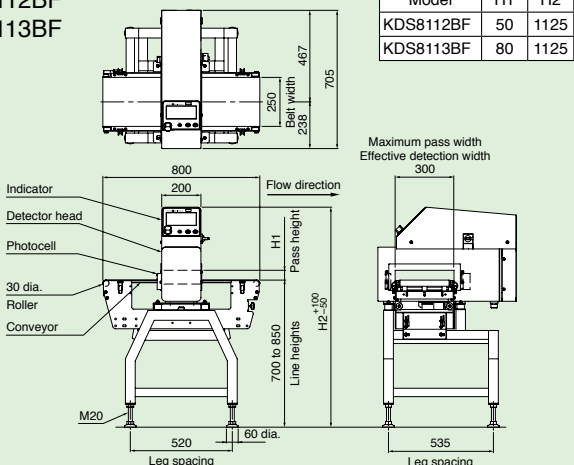
Pass height: 80 mm (KDS8113BF)  
75 mm (KDS8113BW)



KDS8112BW

### External Dimensions Non-Waterproof

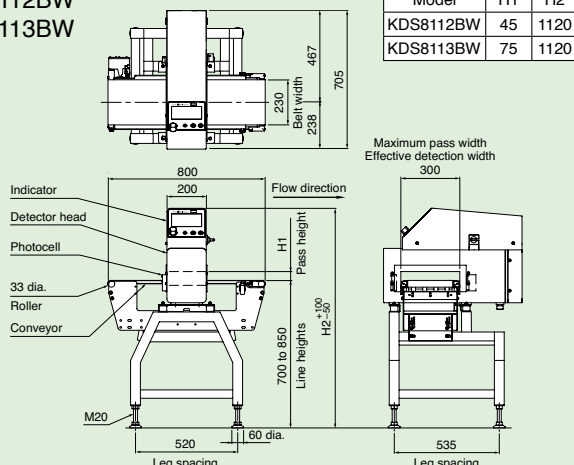
KDS8112BF  
KDS8113BF



Units: mm

### External Dimensions Waterproof

KDS8112BW  
KDS8113BW



Units: mm

### Specifications

Model	KDS8112BF	KDS8112BW	KDS8113BF	KDS8113BW
Pass height	50 mm	45 mm	80 mm	75 mm
Maximum pass width	300 mm			
Belt width	250 mm	230 mm	250 mm	230 mm
Display	7-inch color TFT LCD			
Operation method	Touch panel (Start, Stop, and Home are direct push buttons)			
Preset memory	Maximum 200			
Product packaging	Both general and aluminum-evaporated film packaged products			
Detection method	Simultaneous 2-frequency magnetization detection method			
Belt speed	10 to 90 m/min (variable speed depending on Product No.)			
Maximum product weight <sup>1</sup>	5 kg [BF (Non-waterproof) types can support up to 10 kg and BW (waterproof) types can support up to 15 kg as an option at the belt speed of 5 to 49 m/min.]			
Metal detection	Rejection signal output and beep, or belt stop and beep			
Power requirements	100 to 120 Vac +10% -15% or 200 to 240 Vac +10% -15%, single phase, 50/60 Hz, 200 VA, rush current 62 A (typ.) (20 ms or less)			
Mass	97 kg	102 kg	97 kg	102 kg
Environmental conditions	0° to 40°C, relative humidity 30% to 85%, non-condensing			
Protection class	IP30 compliance	IP66 compliance	IP30 compliance	IP66 compliance
Exterior	BF (Non-waterproof) type: painted (Indicator and detector head: stainless steel (SUS304)) BW (Waterproof) type: stainless steel (SUS304)			
Data output	USB port (USB2.0), Ethernet interface (10BASE-T, 100BASE-TX)			

<sup>1</sup>: Sum total of product weight on the conveyor.  
Note: The shape and size (length, width and height) of products to can be inspected depend on the rejector type.  
Note: The noise level of the metal detectors does not exceed 70 dB (A).

# High Sensitivity

Maximum pass width: 300 mm

## KDS8115BF / BW

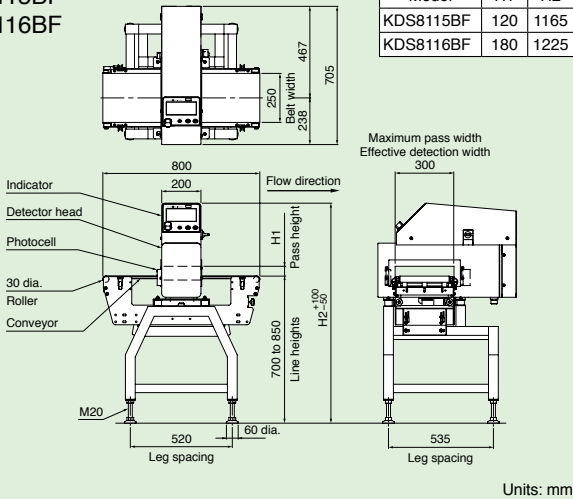
Pass height: 120 mm (KDS8115BF)  
115 mm (KDS8115BW)

## KDS8116BF / BW

Pass height: 180 mm (KDS8116BF)  
175 mm (KDS8116BW)

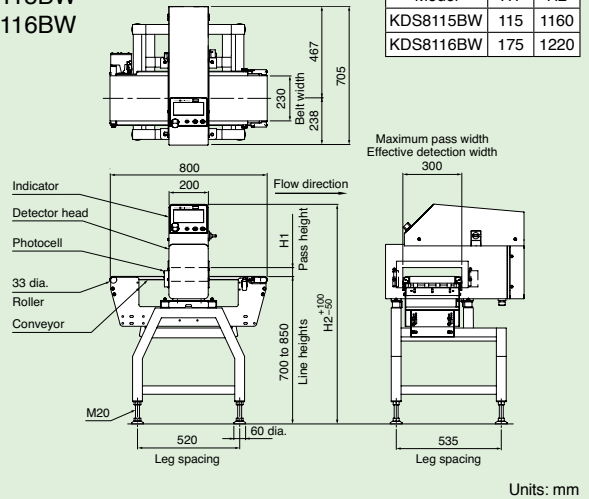
### External Dimensions

KDS8115BF  
KDS8116BF



### External Dimensions

KDS8115BW  
KDS8116BW



### Specifications

Model	KDS8115BF	KDS8115BW	KDS8116BF	KDS8116BW
Pass height	120 mm	115 mm	180 mm	175 mm
Maximum pass width	300 mm			
Belt width	250 mm	230 mm	250 mm	230 mm
Display	7-inch color TFT LCD			
Operation method	Touch panel (Start, Stop, and Home are direct push buttons)			
Preset memory	Maximum 200			
Product packaging	Both general and aluminum-evaporated film packaged products			
Detection method	Simultaneous 2-frequency magnetization detection method			
Belt speed	10 to 90 m/min (variable speed depending on Product No.)			
Maximum product weight <sup>1</sup>	5 kg [BF (Non-waterproof) types can support up to 10 kg and BW (waterproof) types can support up to 15 kg as an option at the belt speed of 5 to 49 m/min.]			
Metal detection	Rejection signal output and beep, or belt stop and beep			
Power requirements	100 to 120 Vac +10% -15% or 200 to 240 Vac +10% -15%, single phase, 50/60 Hz, 200 VA, rush current 62 A (typ.) (20 ms or less)			
Mass	100 kg	105 kg	103 kg	108 kg
Environmental conditions	0° to 40°C, relative humidity 30% to 85%, non-condensing			
Protection class	IP30 compliance	IP66 compliance	IP30 compliance	IP66 compliance
Exterior	BF (Non-waterproof) type: painted (Indicator and detector head: stainless steel (SUS304)) BW (Waterproof) type: stainless steel (SUS304)			
Data output	USB port (USB2.0), Ethernet interface (10BASE-T, 100BASE-TX)			

<sup>1</sup>: Sum total of product weight on the conveyor.  
Note: The shape and size (length, width and height) of products to can be inspected depend on the rejector type.  
Note: The noise level of the metal detectors does not exceed 70 dB (A).



# High Sensitivity

Maximum pass width: 450 mm

## KDS8122BF / BW

Pass height: 50 mm (KDS8122BF)  
45 mm (KDS8122BW)

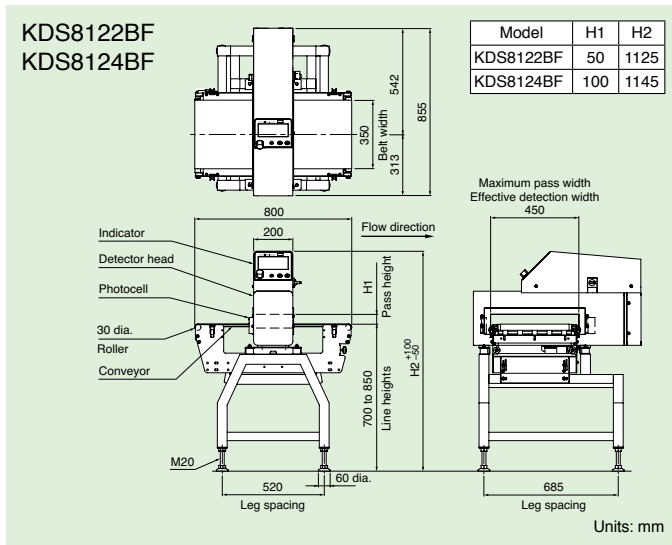
## KDS8124BF / BW

Pass height: 100 mm (KDS8124BF)  
95 mm (KDS8124BW)

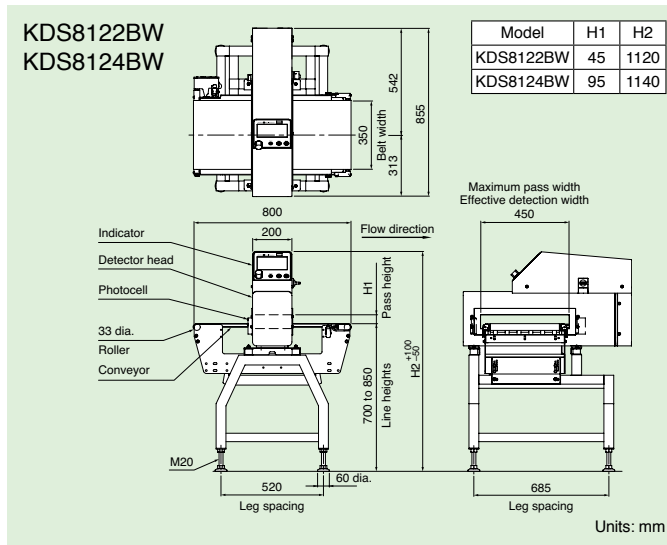


KDS8122BW

### External Dimensions Non-Waterproof



### External Dimensions Waterproof



### Specifications

Model	KDS8122BF	KDS8122BW	KDS8124BF	KDS8124BW
Pass height	50 mm	45 mm	100 mm	95 mm
Maximum pass width	450 mm			
Belt width	350 mm			
Display	7-inch color TFT LCD			
Operation method	Touch panel (Start, Stop, and Home are direct push buttons)			
Preset memory	Maximum 200			
Product packaging	Both general and aluminum-evaporated film packaged products			
Detection method	Simultaneous 2-frequency magnetization detection method			
Belt speed	10 to 90 m/min (variable speed depending on Product No.)			
Maximum product weight <sup>1</sup>	5 kg [BF (Non-waterproof) types can support up to 10 kg and BW (waterproof) types can support up to 15 kg as an option at the belt speed of 5 to 49 m/min.]			
Metal detection	Rejection signal output and beep, or belt stop and beep			
Power requirements	100 to 120 Vac +10% -15% or 200 to 240 Vac +10% -15%, single phase, 50/60 Hz, 200 VA, rush current 62 A (typ.) (20 ms or less)			
Mass	112 kg	117 kg	117 kg	122 kg
Environmental conditions	0° to 40°C, relative humidity 30% to 85%, non-condensing			
Protection class	IP30 compliance	IP66 compliance	IP30 compliance	IP66 compliance
Exterior	BF (Non-waterproof) type: painted (Indicator and detector head: stainless steel (SUS304)) BW (Waterproof) type: stainless steel (SUS304)			
Data output	USB port (USB2.0), Ethernet interface (10BASE-T, 100BASE-TX)			

<sup>1</sup>: Sum total of product weight on the conveyor.  
Note: The shape and size (length, width and height) of products to can be inspected depend on the rejector type.  
Note: The noise level of the metal detectors does not exceed 70 dB (A).

duw-h series

duw series

For Aluminum Packaged Products

# High Sensitivity

Maximum pass width: 450 mm

## KDS8125BF / BW

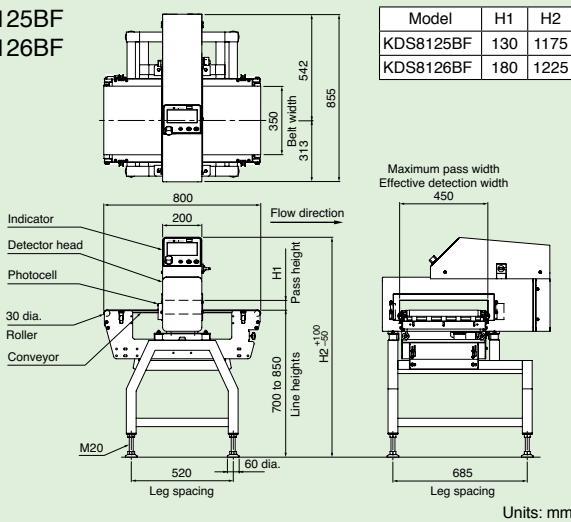
Pass height: 130 mm (KDS8125BF)  
125 mm (KDS8125BW)

## KDS8126BF / BW

Pass height: 180 mm (KDS8126BF)  
175 mm (KDS8126BW)

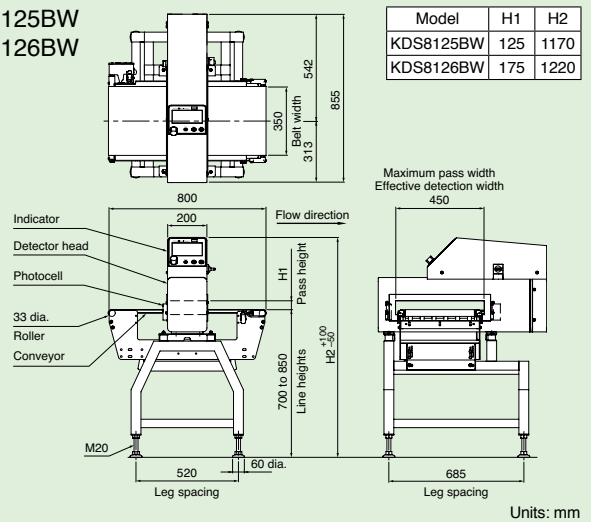
### External Dimensions

KDS8125BF  
KDS8126BF



### External Dimensions

KDS8125BW  
KDS8126BW



### Specifications

Model	KDS8125BF	KDS8125BW	KDS8126BF	KDS8126BW
Pass height	130 mm	125 mm	180 mm	175 mm
Maximum pass width	450 mm			
Belt width	350 mm			
Display	7-inch color TFT LCD			
Operation method	Touch panel (Start, Stop, and Home are direct push buttons)			
Preset memory	Maximum 200			
Product packaging	Both general and aluminum-evaporated film packaged products			
Detection method	Simultaneous 2-frequency magnetization detection method			
Belt speed	10 to 90 m/min (variable speed depending on Product No.)			
Maximum product weight <sup>1</sup>	5 kg [BF (Non-waterproof) types can support up to 10 kg and BW (waterproof) types can support up to 15 kg as an option at the belt speed of 5 to 49 m/min.]			
Metal detection	Rejection signal output and beep, or belt stop and beep			
Power requirements	100 to 120 Vac +10% -15% or 200 to 240 Vac +10% -15%, single phase, 50/60 Hz, 200 VA, rush current 62 A (typ.) (20 ms or less)			
Mass	120 kg	125 kg	123 kg	128 kg
Environmental conditions	0° to 40°C, relative humidity 30% to 85%, non-condensing			
Protection class	IP30 compliance	IP66 compliance	IP30 compliance	IP66 compliance
Exterior	BF (Non-waterproof) type: painted (Indicator and detector head: stainless steel (SUS304)) BW (Waterproof) type: stainless steel (SUS304)			
Data output	USB port (USB2.0), Ethernet interface (10BASE-T, 100BASE-TX)			

<sup>1</sup>: Sum total of product weight on the conveyor.

Note: The shape and size (length, width and height) of products to can be inspected depend on the rejector type.

Note: The noise level of the metal detectors does not exceed 70 dB (A).



# Standard

Maximum pass width: 300 mm

## KD8113A / AW

Pass height: 80 mm (KD8113A)  
75 mm (KD8113AW)

## KD8115A / AW

Pass height: 120 mm (KD8115A)  
115 mm (KD8115AW)

## KD8116A / AW

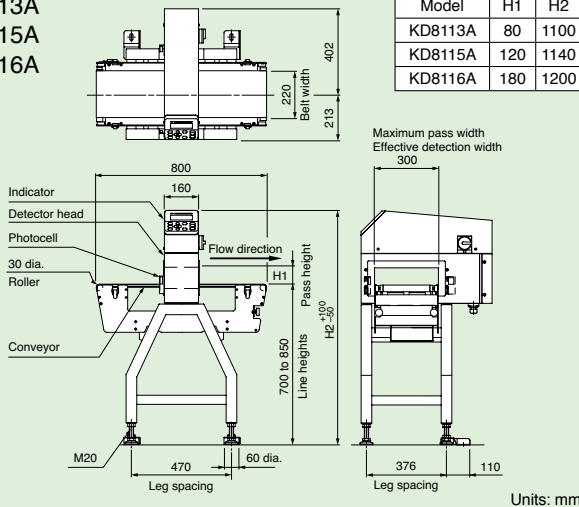
Pass height: 180 mm (KD8116A)  
175 mm (KD8116AW)



KD8113AW

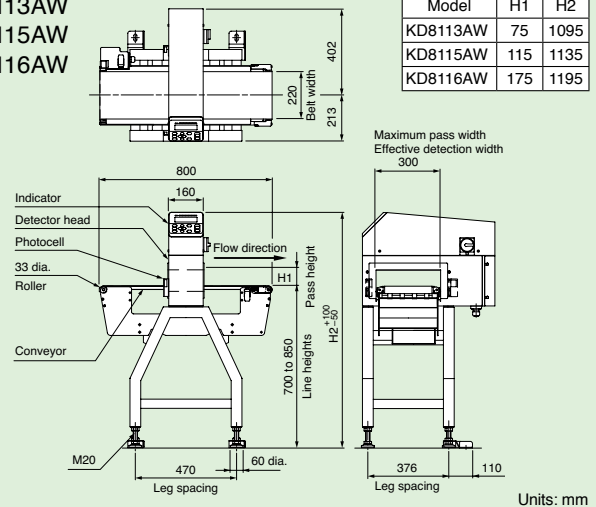
### External Dimensions Non-Waterproof

KD8113A  
KD8115A  
KD8116A



### External Dimensions Waterproof

KD8113AW  
KD8115AW  
KD8116AW



### Specifications

Model	KD8113A	KD8113AW	KD8115A	KD8115AW	KD8116A	KD8116AW
Pass height	80 mm	75 mm	120 mm	115 mm	180 mm	175 mm
Maximum pass width	300 mm					
Belt width	220 mm					
Display	STN LCD					
Operation method	Flat panel key					
Preset memory	Maximum 100					
Product packaging	Both general and aluminum-evaporated film packaged products					
Detection method	Simultaneous 2-frequency magnetization detection method					
Belt speed	10 to 90 m/min (variable speed depending on Product No.)					
Maximum product weight <sup>1</sup>	5 kg [A (Non-waterproof) types can support up to 10 kg and AW (waterproof) types can support up to 15 kg as an option at the belt speed of 5 to 49 m/min.]					
Metal detection	Rejection signal output and beep, or belt stop and beep					
Power requirements	100 to 120 Vac +10% -15% or 200 to 240 Vac +10% -15%, single phase, 50/60 Hz, 200 VA, rush current 62 A (typ.) (20 ms or less)					
Mass	72 kg		75 kg		77 kg	
Environmental conditions	0° to 40°C, relative humidity 30% to 85%, non-condensing					
Protection class	IP30 compliance	IP66 compliance	IP30 compliance	IP66 compliance	IP30 compliance	IP66 compliance
Exterior	A (Non-waterproof) type: painted (Indicator and detector head: stainless steel (SUS304)) AW (Waterproof) type: stainless steel (SUS304)					

<sup>1</sup>: Sum total of product weight on the conveyor.  
Note: The shape and size (length, width and height) of products to can be inspected depend on the rejector type.  
Note: The noise level of the metal detectors does not exceed 70 dB (A).

# Standard

Maximum pass width: 450 mm

## KD8124A / AW

Pass height: 100 mm (KD8124A)  
95 mm (KD8124AW)

## KD8125A / AW

Pass height: 130 mm (KD8125A)  
125 mm (KD8125AW)

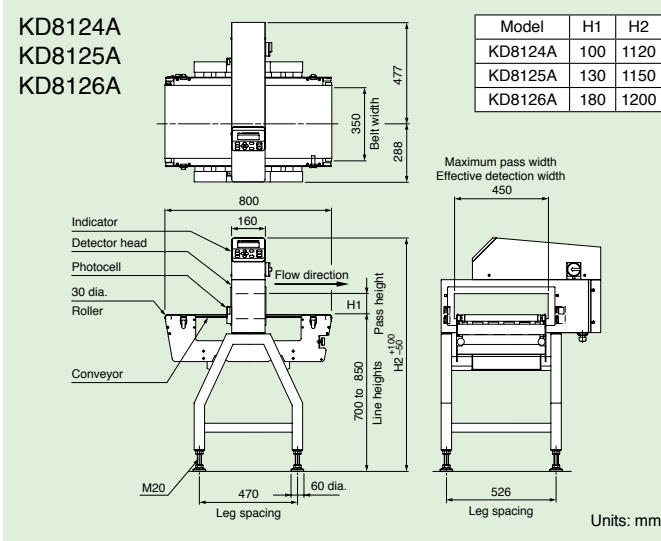
## KD8126A / AW

Pass height: 180 mm (KD8126A)  
175 mm (KD8126AW)

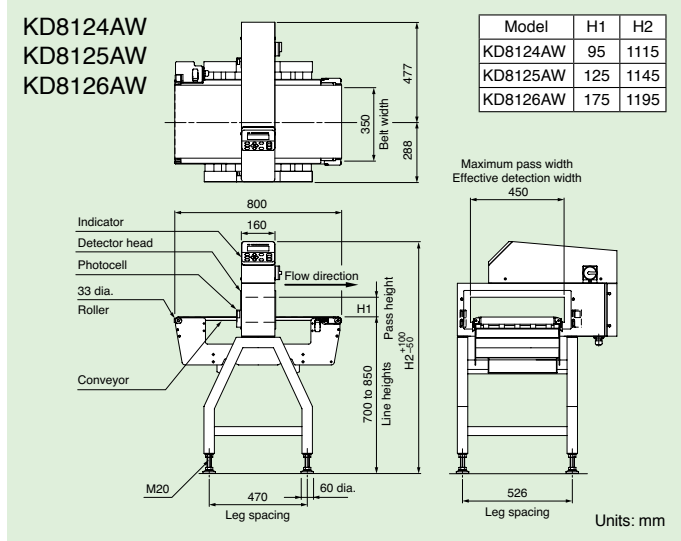


KD8124AW

### External Dimensions



### External Dimensions



### Specifications

Model	KD8124A	KD8124AW	KD8125A	KD8125AW	KD8126A	KD8126AW
Pass height	100 mm	95 mm	130 mm	125 mm	180 mm	175 mm
Maximum pass width	450 mm					
Belt width	350 mm					
Display	STN LCD					
Operation method	Flat panel key					
Preset memory	Maximum 100					
Product packaging	Both general and aluminum-evaporated film packaged products					
Detection method	Simultaneous 2-frequency magnetization detection method					
Belt speed	10 to 73 m/min (variable speed depending on Product No.)					
Maximum product weight <sup>1</sup>	5 kg [A (Non-waterproof) types can support up to 10 kg and AW (waterproof) types can support up to 15 kg as an option at the belt speed of 5 to 49 m/min.]					
Metal detection	Rejection signal output and beep, or belt stop and beep					
Power requirements	100 to 120 Vac +10% -15% or 200 to 240 Vac +10% -15%, single phase, 50/60 Hz, 200 VA, rush current 62 A (typ.) (20 ms or less)					
Mass	82 kg		84 kg		85 kg	
Environmental conditions	0° to 40°C, relative humidity 30% to 85%, non-condensing					
Protection class	IP30 compliance	IP66 compliance	IP30 compliance	IP66 compliance	IP30 compliance	IP66 compliance
Exterior	A (Non-waterproof) type: painted (Indicator and detector head: stainless steel (SUS304)) AW (Waterproof) type: stainless steel (SUS304)					

<sup>1</sup>: Sum total of product weight on the conveyor.  
Note: The shape and size (length, width and height) of products to can be inspected depend on the rejector type.  
Note: The noise level of the metal detectors does not exceed 70 dB (A).

# Standard Vertical type

Pass height: 280 mm (Non-Waterproof) 275 mm (Waterproof)

## KD8113AT / AWT

Maximum pass width: 95 mm

## KD8115AT / AWT

Maximum pass width: 135 mm

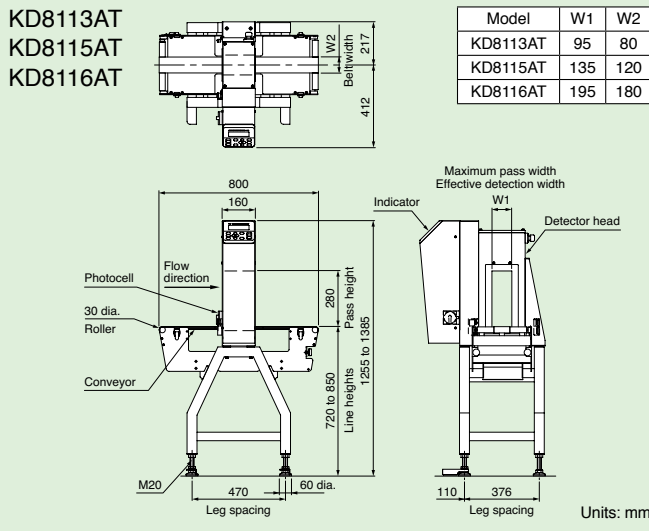
## KD8116AT / AWT

Maximum pass width: 195 mm

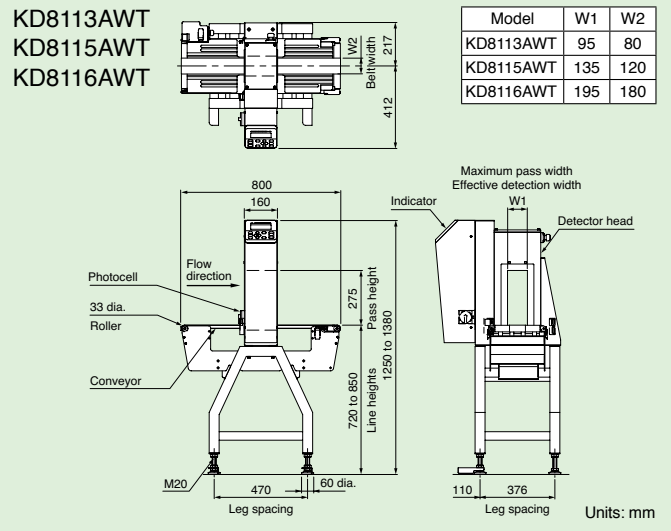


KD8115AWT

### External Dimensions Non-Waterproof



### External Dimensions Waterproof



### Specifications

Model	KD8113AT	KD8113AWT	KD8115AT	KD8115AWT	KD8116AT	KD8116AWT
Pass height	280 mm	275 mm	280 mm	275 mm	280 mm	275 mm
Maximum pass width	95 mm		135 mm		195 mm	
Belt width	80 mm		120 mm		180 mm	
Display	STN LCD					
Operation method	Flat panel key					
Preset memory	Maximum 100					
Product packaging	Both general and aluminum-evaporated film packaged products					
Detection method	Simultaneous 2-frequency magnetization detection method					
Belt speed	10 to 90 m/min (variable speed depending on Product No.)					
Maximum product weight <sup>1</sup>	5 kg [AT (Non-waterproof) types can support up to 10 kg and AWT (waterproof) types can support up to 15 kg as an option at the belt speed of 5 to 49 m/min.]					
Metal detection	Rejection signal output and beep, or belt stop and beep					
Power requirements	100 to 120 Vac +10% -15% or 200 to 240 Vac +10% -15%, single phase, 50/60 Hz, 200 VA, rush current 62 A (typ.) (20 ms or less)					
Mass	82 kg		85 kg		87 kg	
Environmental conditions	0° to 40°C, relative humidity 30% to 85%, non-condensing					
Protection class	IP30 compliance	IP66 compliance	IP30 compliance	IP66 compliance	IP30 compliance	IP66 compliance
Exterior	AT (Non-waterproof) type: painted (Indicator and detector head: stainless steel (SUS304)) AWT (Waterproof) type: stainless steel (SUS304)					

<sup>1</sup>: Sum total of product weight on the conveyor.  
Note: The shape and size (length, width and height) of products to can be inspected depend on the rejector type.  
Note: The noise level of the metal detectors does not exceed 70 dB (A).

# Standard Vertical type

Pass height: 430 mm (Non-Waterproof) 425 mm (Waterproof)

## KD8124AT / AWT

Maximum pass width: 115 mm

## KD8125AT / AWT

Maximum pass width: 145 mm

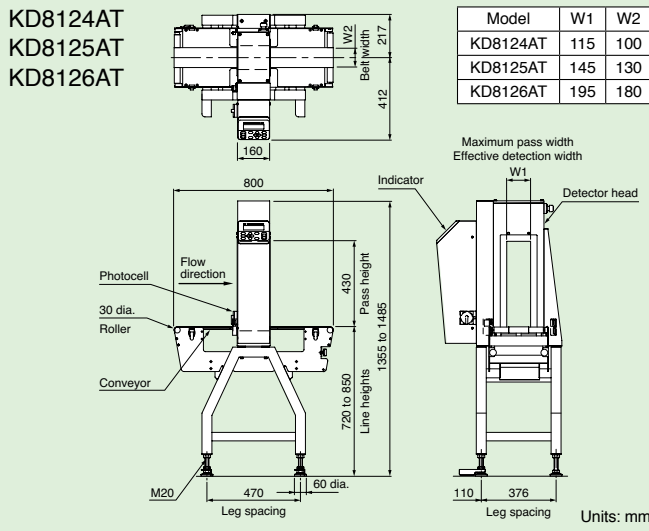
## KD8126AT / AWT

Maximum pass width: 195 mm

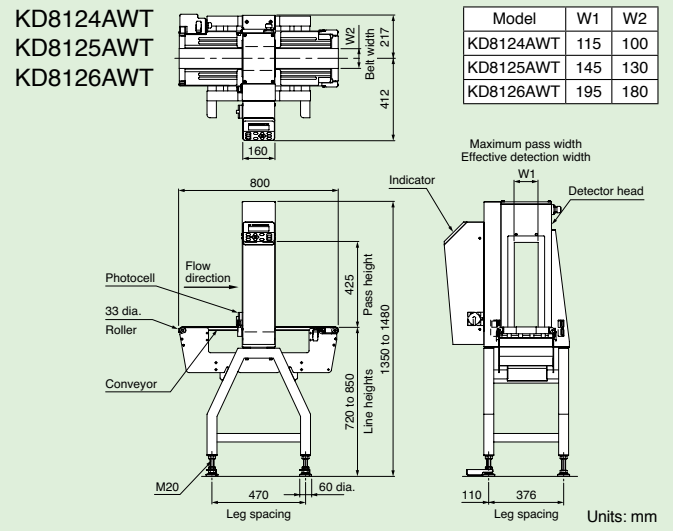


KD8125AWT

### External Dimensions Non-Waterproof



### External Dimensions Waterproof



### Specifications

Model	KD8124AT	KD8124AWT	KD8125AT	KD8125AWT	KD8126AT	KD8126AWT
Pass height	430 mm	425 mm	430 mm	425 mm	430 mm	425 mm
Maximum pass width	115 mm		145 mm		195 mm	
Belt width	100 mm		130 mm		180 mm	
Display	STN LCD					
Operation method	Flat panel key					
Preset memory	Maximum 100					
Product packaging	Both general and aluminum-evaporated film packaged products					
Detection method	Simultaneous 2-frequency magnetization detection method					
Belt speed	10 to 73 m/min (variable speed depending on Product No.)					
Maximum product weight <sup>1</sup>	5 kg [AT (Non-waterproof) types can support up to 10 kg and AWT (waterproof) types can support up to 15 kg as an option at the belt speed of 5 to 49 m/min.]					
Metal detection	Rejection signal output and beep, or belt stop and beep					
Power requirements	100 to 120 Vac +10% -15% or 200 to 240 Vac +10% -15%, single phase, 50/60 Hz, 200 VA, rush current 62 A (typ.) (20 ms or less)					
Mass	92 kg		94 kg		96 kg	
Environmental conditions	0° to 40°C, relative humidity 30% to 85%, non-condensing					
Protection class	IP30 compliance	IP66 compliance	IP30 compliance	IP66 compliance	IP30 compliance	IP66 compliance
Exterior	AT (Non-waterproof) type: painted (Indicator and detector head: stainless steel (SUS304)) AWT (Waterproof) type: stainless steel (SUS304)					

1: Sum total of product weight on the conveyor.  
Note: The shape and size (length, width and height) of products to can be inspected depend on the rejector type.  
Note: The noise level of the metal detectors does not exceed 70 dB (A).

# Standard Large type

Maximum pass width: 650 mm

## KD813 A / AW

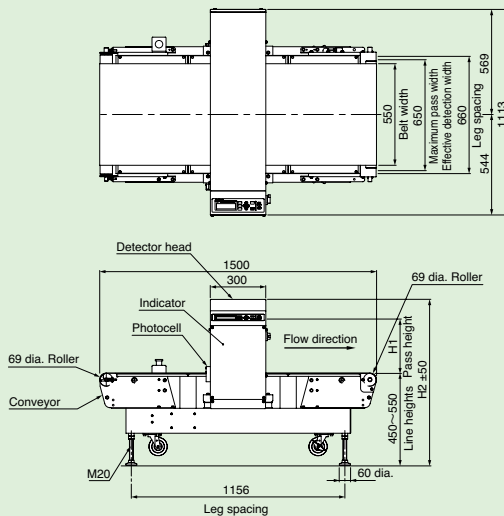
Pass height: 100 mm, 150 mm, 200 mm, 250 mm  
300 mm, 350 mm, 400 mm



KD8133AW

### External Dimensions

KD8132A  
KD8133A  
KD8134A  
KD8135A  
KD8136A  
KD8137A  
KD8138A  
KD8132AW  
KD8133AW  
KD8134AW  
KD8135AW  
KD8136AW  
KD8137AW  
KD8138AW



Model	H1	H2
KD8132A/AW	100	750
KD8133A/AW	150	800
KD8134A/AW	200	850
KD8135A/AW	250	900
KD8136A/AW	300	950
KD8137A/AW	350	1000
KD8138A/AW	400	1050

Units: mm

### Specifications

Model	KD8132A KD8132AW	KD8133A KD8133AW	KD8134A KD8134AW	KD8135A KD8135AW	KD8136A KD8136AW	KD8137A KD8137AW	KD8138A KD8138AW
Pass height	100 mm	150 mm	200 mm	250 mm	300 mm	350 mm	400 mm
Maximum pass width	650 mm						
Belt width	550 mm						
Display	STN LCD						
Operation method	Flat panel key						
Preset memory	Maximum 100						
Product packaging	Both general and aluminum-evaporated film packaged products						
Detection method	Simultaneous 2-frequency magnetization detection method						
Belt speed	27 m/min (50 Hz), 33 m/min (60 Hz)						
Maximum product weight <sup>1</sup>	50 kg						
Metal detection	Rejection signal output and beep, or belt stop and beep						
Power requirements <sup>2</sup>	100 Vac ±10%, single phase, 50/60Hz; 110 to 120 Vac ±10%, single phase, 60Hz; or 200 to 230 Vac ±10%, single phase, 50/60Hz						
Power consumption	400 VA, rush current 62 A(typ.) (20 ms or less)						
Mass	175 kg	180 kg	185 kg	190 kg	195 kg	200 kg	205 kg
Environmental conditions	0° to 40°C, relative humidity 30% to 85%, non-condensing						
Protection class	A (Non-waterproof) type: IP30 compliance / AW (Waterproof) type: IP66 compliance						
Exterior	A (Non-waterproof) type: painted (Indicator and detector head: stainless steel (SUS304)) AW (Waterproof) type: stainless steel (SUS304)						

1: Sum total of product weight on the conveyor.

2: Choose one of the three power requirements.

Note: The shape and size (length, width and height) of products to can be inspected depend on the rejector type.

Note: The noise level of the metal detectors does not exceed 70 dB (A).



# For Aluminum Packaged Products

Maximum pass width: 230 mm (KD8200AW), 400 mm (KD8220AW)

## KD8200AW

Pass height: 30 mm, 40 mm, 50 mm, 60 mm

## KD8220AW

Pass height: 30 mm, 40 mm, 50 mm, 60 mm

Note: Metals that exhibit magnetic properties such as iron and SUS430 and stainless steel processed by cutting and bending (placed under stress) such as SUS304 and SUS316 can be detected.

Aluminum, brass, copper, silver, gold, lead, titanium, etc. cannot be detected because they cannot be magnetized.



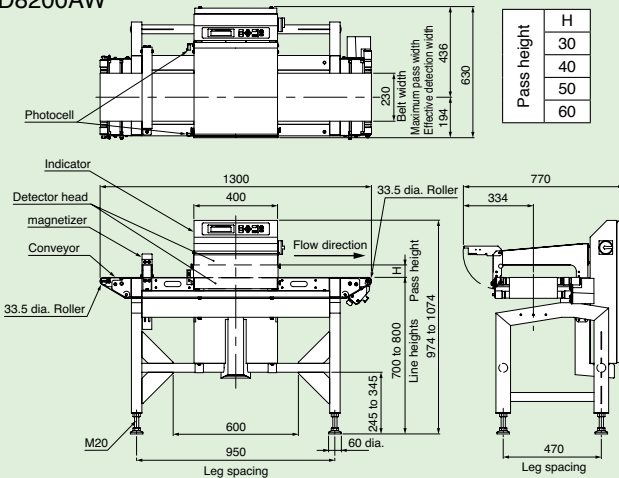
This metal detector (MD) uses strong magnets so people with pacemakers, etc., (life-support devices) must not come near it, otherwise there is a risk of pacemaker malfunction.



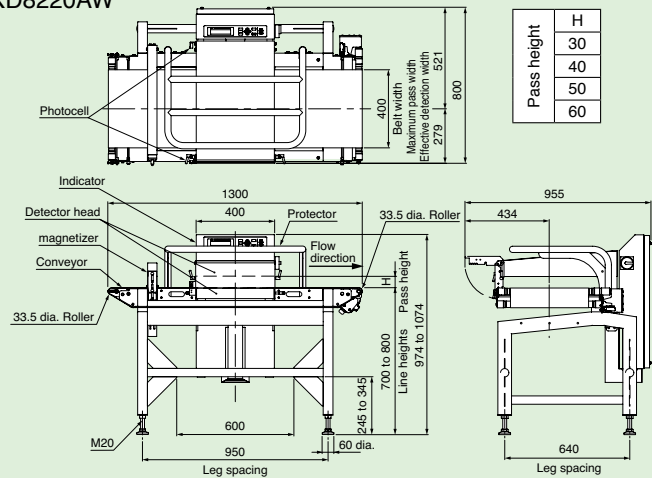
KD8200AW

### External Dimensions

KD8200AW



KD8220AW



Units: mm

### Specifications

Model	KD8200AW	KD8220AW
Pass height <sup>1</sup>	30 mm, 40 mm, 50 mm, 60 mm	
Maximum pass width	230 mm	400 mm
Belt width	230 mm	400 mm
Display	STN LCD	
Operation method	Flat panel key	
Preset memory	Maximum 100	
Product packaging	General, aluminum-metallized-packaging and aluminum-foil-packaging products	
Belt speed <sup>2</sup>	10 to 90 m/min (variable speed depending on Product No.)	10 to 40 m/min (variable speed depending on Product No.)
Maximum product weight <sup>2,3</sup>	70 m/min or less : 4 kg, 71 m/min or more : 3 kg	5 kg
Metal detection	Rejection signal output and beep, or belt stop and beep	
Power requirements	100 to 120 Vac +10% -15% or 200 to 240 Vac +10% -15%, single phase, 50/60 Hz, 200 VA, rush current 70 A (typ.) (20 ms or less)	
Mass	130 kg	160 kg
Environmental conditions	0° to 40°C, relative humidity 30% to 85%, non-condensing	
Protection class	IP66 compliance	
Exterior	Stainless steel (SUS304)	

1: Any one of pass heights can be selected. Contact our sales representatives for change.

2: KD8200AW can support up to 8 kg as an option. However, the belt speed is 5 to 43 m/min.

KD8220AW can support up to 10 kg as an option. However, the belt speed is 5 to 20 m/min.

3: Sum total of product weight on the conveyor.

Note: The shape and size (length, width and height) of products to can be inspected depend on the rejector type.

Note: The noise level of the metal detectors does not exceed 70 dB (A).

duw-h series

duw series

For Aluminum Packaged Products



# For Aluminum Packaged Products

Maximum pass width: 300 mm

## KD821AH / AHW

Pass height: 30 mm, 55 mm, 80 mm, 105 mm, 130 mm

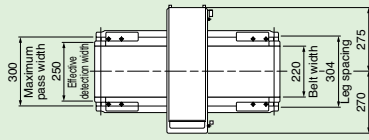


KD821AH

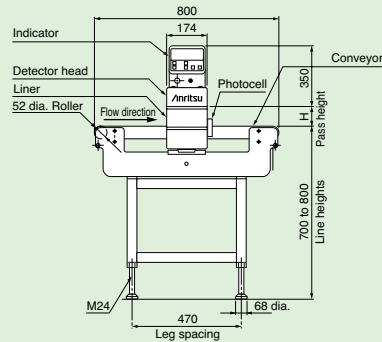
duw-h series  
duw series  
For Aluminum Packaged Products

### External Dimensions

KD821AH  
KD821AHW



Pass height	H
30	
55	
80	
105	
130	



Units: mm

### Specifications

Model	KD821AH	KD821AHW
Pass height <sup>1</sup>	30 mm, 55 mm, 80 mm, 105 mm, 130 mm	
Maximum pass width	300 mm	
Belt width	220 mm	
Display	LED	
Operation method	Flat panel key	
Preset memory	Maximum 50	
Product packaging	Aluminum foil packaged products	
Belt speed	39 m/min	
Maximum product weight <sup>2</sup>	5 kg	
Metal detection	Rejection signal output and beep, or belt stop and beep	
Power requirements	100 Vac ±10%, single phase, 50/60 Hz, 200 VA	
Mass	75 kg	
Environmental conditions	0° to 40°C, relative humidity 30% to 85%, non-condensing	
Protection class	IP30 compliance	IP65 compliance
Exterior	Painted	Conveyor leg: stainless steel (SUS304)

<sup>1</sup>: Any one of pass heights can be selected. Contact our sales representatives for change.

<sup>2</sup>: Sum total of product weight on the conveyor.

Note: The shape and size (length, width and height) of products to can be inspected depend on the rejector type.





**Anritsu** envision : ensure

**ANRITSU INFIVIS INC.** <http://www.detectionperfection.com>

1001 Cambridge Drive Elk Grove Village, IL 60007-2453  
Phone (847) 419-XRAY (9729) Fax (847) 537-8266

© ANRITSU INFIVIS CO., LTD. 2013  
ISO14001 CERTIFICATE No.JQA-EM0210  
ISO 9001 CERTIFICATE No.JQA-0566



- Some products shown in this catalog may not be available in your country or region. Contact our sales representatives for details.
- To ensure proper operation, read the Operation Manual before using the machine.
- In addition to daily inspection, an annual maintenance check should be carried out.

Specifications are subject to change without notice.  
No part of this catalog may be reproduced without our permission.

Printed on Recycled Paper