

## Dynamini™ Adhesive Supply Unit

Dynamini™ hot melt adhesive supply units provide exceptional value in a small hot melt unit which has been designed for optimal performance, reliability and simplified daily operation. The patented melt-on-demand hopper with 7 year warranty standard, virtually eliminates adhesive degradation by melting only the adhesive required for the application.

### Dynamini™ Adhesive Supply Unit :

- Melt-on-Demand Hopper Grid extends adhesive life and performance.
- 7 year Melt-on-Demand hopper warranty.
- Self-diagnostic P.I. digital Temperature controller with platinum sensor accuracy.
- 110/120V and 200/240V configurations fitted with either a piston or gear pump.
- Removable access covers completely expose all components for easy maintenance.

### Reliability

Melt-On-Demand hopper extends adhesive life and performance.

### Performance

Accurate, proportional temperature control for the hopper, hoses and applicators.

### Simplicity

Icon-driven control panel simplifies operations.



**Dynamini™ Series**  
Models: N05, N10, & N22

## The Dynatec Difference

### Melt-on-Demand Hopper

Most suppliers will agree that adhesive degradation is the number one cause of downtime on hot melt equipment. To address this problem, ITW Dynatec has patented a "Melt-On-Demand" system. ITW Dynatec's vertical, unheated hoppers only melt the amount of adhesive required by the application. Most of the hot melt adhesive in the hopper remains at a

much lower temperature, perhaps even solid state. The added benefits of melting only the adhesive required are quicker start-ups, reduced energy costs, better viscosity control, and reduced fumes.

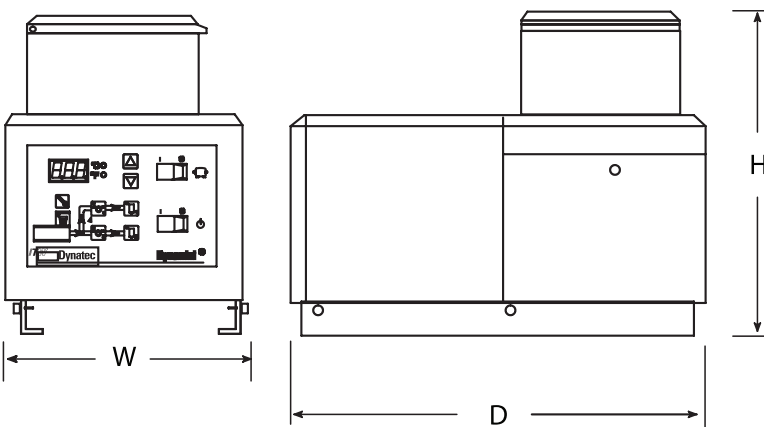
System	N05	N10	N22
Hopper Capacity	5k (10lbs)	9k (20lbs)	22k (48lbs)
Operating Temperature	40 to 218°C (104 to 425°F)	40 to 218°C (104 to 425°F)	40 to 218°C (104 to 425°F)
Melt Rate (per hour) *	8kg/hr (17.3lb/hr)	8kg/hr (17.3lb/hr)	22.6kg/hr (50lb/hr)
Pump Rate (piston)	.91kg/min (2lb/min)	.91kg/min (2lb/min)	.91kg/min (2lb/min)
Piston Pump Compression Ratios	12:1	12:1	12:1
Gear Pump	1.5, 3.2, 4.5, .55, & 10cc	1.5, 3.2, 4.5, .55, & 10cc	1.5, 3.2, 4.5, .55, & 10cc
Hose Output Zones	2	2	2, 6
Maximum Working Hydraulic Pressure	6.8 MPa (1000psi)	6.8 MPa (1000psi)	6.8 MPa (1000psi)
Temperature Control Stability	± 1°C (1°F)	± 1°C (1°F)	± 1°C (1°F)
Electrical Service Standard	100 to 120 VAC 1 Phase 50/60 Hz	100 to 120 VAC 1 Phase 50/60 Hz	240 VAC 1 Phase 50/60 Hz
Electrical Service Standard	200 to 240 VAC 1 Phase 50/60 Hz	200 to 240 VAC 1 Phase 50/60 Hz	200 to 240 VAC 3 Phase 50/60 Hz
Working Viscosity	500 - 50,000 cps	500 - 50,000 cps	500 - 50,000 cps

\*Melt rates vary with adhesive type. All units capable of 2 hoses and applicators. Units can be fitted with a piston or gear pump.

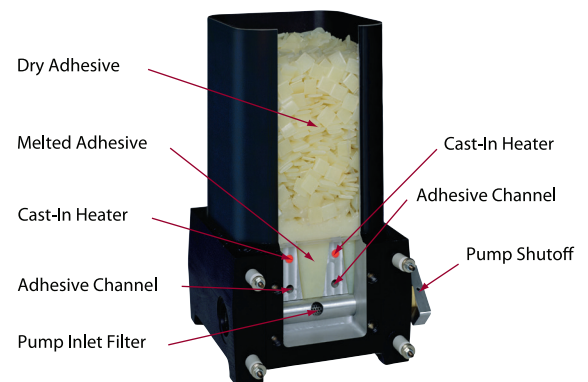
Dimensions	N05	N10	N22
Height (H)	45 cm (17.75 in)	65.4 cm (25.75 in)	61 cm (24 in)
Depth (D)	54 cm (21.25 in)	54 cm (21.25 in)	84 cm (33 in)
Width (W)	29 cm (11.38 in)	29 cm (11.38 in)	35.6 cm (14 in)
Weight (empty)	27 kg (60 lbs)	34 kg (76 lbs)	50 kg (110 lbs)

### Optional Accessories

- Analog pressure gauge
- Hose boom
- Roll cart
- Swirl kit



### Melt-On-Demand Hopper



#### CHINA

ITW Dynatec Suzhou  
Unit2, B1 Building  
No.9 Weixin Road  
SIP, Suzhou, China 215122  
Telephone +86.512.6289.0620  
Fax +86.512.6289.0621  
dynatecsuzhou@itwdynatec.cn

#### AMERICAS

ITW Dynatec  
31 Volunteer Drive  
Hendersonville, TN 37075  
Telephone 615-824-3634  
+1.800.860.6150  
Fax +1.615.264.5248  
dynatec@itwdynatec.com

#### JAPAN

ITW Dynatec K.K.  
Tsukimura Building 5th Floor  
26-11, Nishikamata 7-chome  
Ota-ku, Tokyo 144-0051, Japan  
Telephone +81.3.5703.5501  
Fax +81.3.5703.5505  
info@itwdynatec.co.jp

#### EUROPE, AFRICA & MIDDLE EAST

ITW Dynatec GmbH  
Industriestrasse 28  
D-40822 Mettmann, Germany  
Telephone +49.210.4915.0  
Fax +49.210.491.5111  
e.mail@itwdynatec.de

ITW Dynatec TenPlus  
ZI Croix de Raville  
28500 Chersy, France  
Telephone +33(0)2.37.62.56.47  
Fax +33(0)2.37.62.56.40  
info@itwdynatec.fr