

# DeltaFx™ Fiberized Spray Applicator

DeltaFx™ fiberized spray applicators provide exceptional value and flexibility for wide adhesive lamination. Using ITW Dynatec patented Laminate Plate Technology, DeltaFx™ provides a non-contact application system that is easy to use and maintain. DeltaFx™ applicators work with many types of hot melt adhesives, including PUR Hot Melts, and are an excellent choice when speed, versatility and durability are required.

## DeltaFx™ Fiberized Spray Applicator:

- Consistent coat weight application eliminates ridges and valleys common when using swirl applicators.
- Random fiber patterns use less adhesive than spiral spray and maintain or improve bond strength.
- Adhesive pattern widths can be easily adjusted by adjusting the distance between the head and substrate.
- Minimizes clean-up and reduces downtime.

### Performance

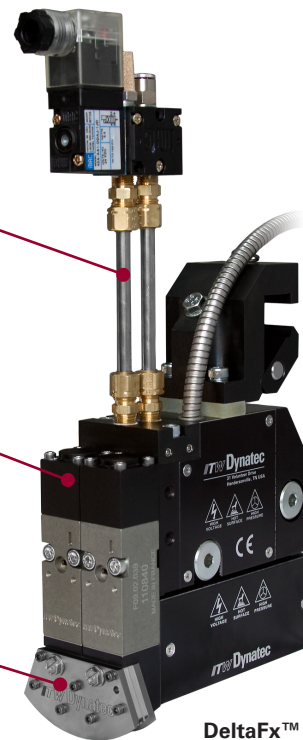
Continuously apply adhesives including PSA, APAO, and Reactive Hot Melts.

### Flexibility

Quick-change pattern width(s) by adjusting distance between head and substrate.

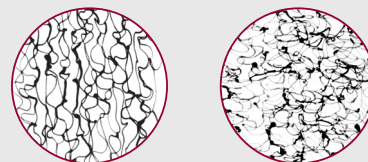
### Innovation

Single nozzle permits a range of pattern widths up to 12" (adhesive dependent).



DeltaFx™ Fiberized Spray Applicator

## The Dynatec *Difference*



Actual Fiber Patterns Shown

### Easy Pattern Adjustment and Simplification

DeltaFx™ applicators allow up to a 12" pattern width per head and can be easily changed to accommodate smaller widths by adjusting the distance between the applicator and substrate. For applications requiring the use of reactive hot melt adhesives, DeltaFx™ has direct glue paths which

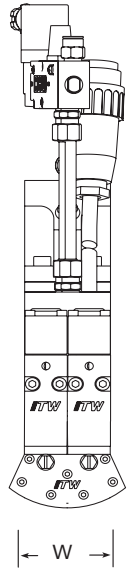
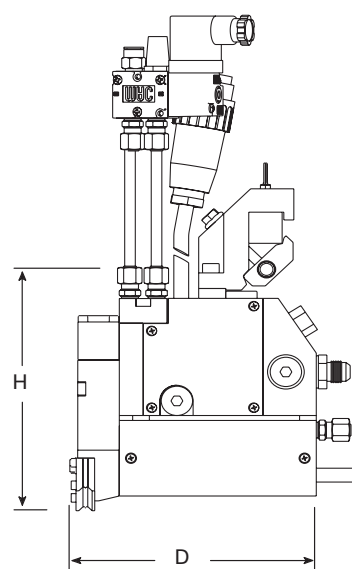
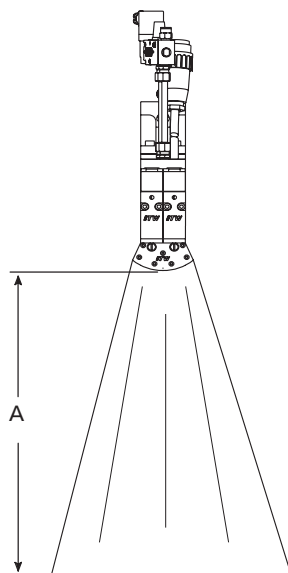
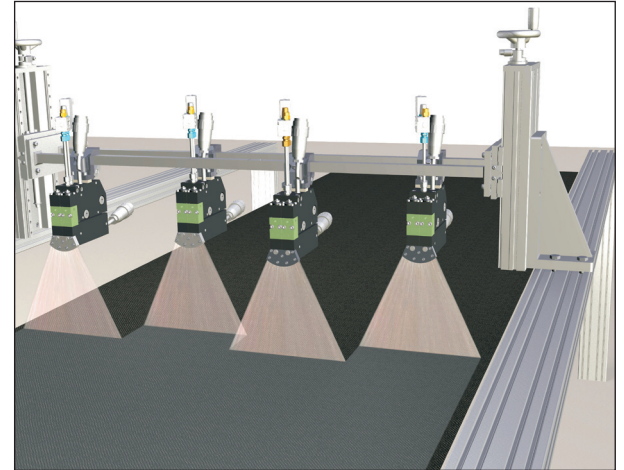
eliminate blind and inactive adhesive passages. This design reduces the risk of cured adhesive, lengthening the operating life of your applicators. Easy to clean and easy to set up, DeltaFx™ applicators can help reduce down time, improve productivity and increase floor space in the laminating station.

System	DeltaFx™	Comments
Application Width per Nozzle	Up to 305 mm (12 in)	Varies depending upon distance to substrate.
Adhesive Viscosity	Lab Test Required	-
Temperature Range	40°C to 200°C (100°F to 400°F)	-
Warm-Up Time	15 min. (cold start)	-
Typical Application Air Pressure	0.8 - 1.5 bar (12-22 psi)	Depends upon type of adhesive.
Typical Air Flow per Nozzle	2,500 (nl/h) (1.5 SCFM)	-
Wattage Manifold	450W	-
Wattage Air Heater	600W	-

Dimensions	DeltaFx™
Height (H)	261 mm (10.28 in)
Depth (D)	146.3 mm (5.76 in)
Width (W)	50 mm (1.97 in)
Adjustment (A)	50 mm-200 mm (1.97 in to 7.8 in)

### DeltaFx™ Mounting Brackets

Only the DeltaFx™ adhesive applicator allows web widths to be adjusted on the fly by changing the distance between the applicator and substrate.



#### CHINA

ITW Dynatec Suzhou  
Unit2, B1 Building  
No.9 Weixin Road  
SIP, Suzhou, China 215122  
Telephone +86.512.6289.0620  
Fax +86.512.6289.0621  
dynatecsuzhou@itwdynatec.cn

#### AMERICAS

ITW Dynatec  
31 Volunteer Drive  
Hendersonville, TN 37075  
Telephone 615+824+3634  
+1.800.860.6150  
Fax +1.615.264.5248  
dynatec@itwdynatec.com

#### JAPAN

ITW Dynatec K.K.  
Tsukimura Building 5th Floor  
26-11, Nishikamata 7-chome  
Ota-ku, Tokyo 144-0051, Japan  
Telephone +81.3.5703.5501  
Fax +81.3.5703.5505  
info@itwdynatec.co.jp

#### EUROPE, AFRICA & MIDDLE EAST

ITW Dynatec GmbH  
Industriestrasse 28  
D-40822 Mettmann, Germany  
Telephone +49.210.4915.0  
Fax +49.210.491.5111  
e.mail@itwdynatec.de

ITW Dynatec TenPlus  
ZI Croix de Raville  
28500 Cherys, France  
Telephone +33(0)2.37.62.56.47  
Fax +33(0)2.37.62.56.40  
info@itwdynatec.fr